

SPECIFICATIONS SQUEEGEE

01/10/14

R15

Summary

Specifications of the material.....	5
 <u>Walk behind machines</u>	
baby (standard)	6
baby 43 (standard)	7
ruby b (only spare parts).....	8
ruby 45e/50e/55e (only spare parts).....	9
ruby (optional) short squeegee.....	10
ruby b + ruby 50e II - Aluminium version (standard)	11
ruby 45e - ruby 55e - Aluminium version (standard)	12
jade 50/55/66/55c (standard)	13
jade 50/55/66/55c (optional).....	14
opal 66 "V" (standard)	15
opal 80 (standard)	16
amber 66 (series heavy narrow standard)	17
amber 66 (series light only spare parts).....	18
amber 66 (series heavy only spare parts) not narrow.....	19
amber 66 "V" (optional).....	20
amber 83 (series heavy narrow standard)	21
amber 83 (series heavy only spare parts).....	22
amber 83 (series light only spare parts).....	23
amber 83 (series heavy only spare parts).....	24
amber 83 (series heavy narrow optional long).....	25
amber 83 "V" (optional).....	26

On-board machines

coral 65/6511/85/70s - sapphire 65/70s **[series heavy narrow standard]**.....27

coral 65/6511/85 (optional)28

coral 65/6511/85 "V" (optional)29

coral 65m "V" **[standard]**.....30

coral 70s "V" (optional)31

sapphire 65/70s (series heavy narrow old support only spare parts).....32

sapphire 65/70s (series heavy only spare parts).....33

sapphire 65 "V" (optional)34

sapphire 85s **[series heavy narrow standard long]**.....35

sapphire 85 (optional) LONG35

sapphire 85 (series heavy narrow old support only spare parts).....36

sapphire 85 (series heavy only spare parts long).....37

sapphire 85 **[series heavy narrow standard medium]**.....38

sapphire 85s (optional) MEDIUM.....38

sapphire 85s/85 (series heavy narrow old only spare parts).....39

sapphire 85s (series heavy only spare parts).....40

sapphire 85 (optional heavy only spare parts)40

sapphire 85/70s "V" (optional)41

diamond 85/100 (only spare parts).....42

diamond 85/100 **[standard series heavy]**.....43

diamond 100s **[standard]**.....44

diamond 85 (1st series)45

Specifications of the material

PU (polyurethane): it is a transparent oil resistant material and dries well also tiled floors and floors with medium-sized joints.

Antiolio (Oil-resistant): white colour with hardness which goes between 40sh and 50sh. Suitable to dry oily floors, but not with an elevated drying result and rolled concrete floor (not tiled floors).

Vulkollan: particular type of polyurethane; it is used mainly for the front rubber (striped). It does not have particular drying characteristics.

Para 33 shore: dark red colour; it is a very pure natural rubber and it has excellent drying characteristics, especially on tiled floors. Because of its softness, this rubber is not recommended on very rough floors.

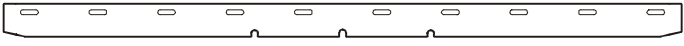
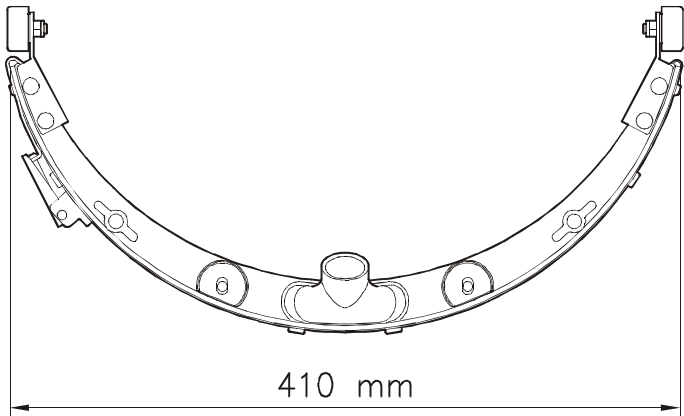


Para 40 shore: brown colour; it has good drying characteristics on all types of floors and it is also resistant.

Para 50 shore: light brown colour; suitable for industrial floors with an excellent resistance.

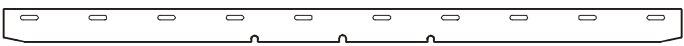
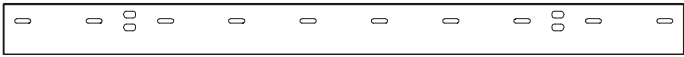
Linatex: it is the commercial name of a particular type of rubber in para (natural rubber). Its colour is light red and it is suitable especially on floors with large and deep joints (such as supermarket floors).

PS: all squeegee rubbers are provided with the part number stamped, this to avoid ordering mistakes.

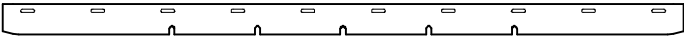
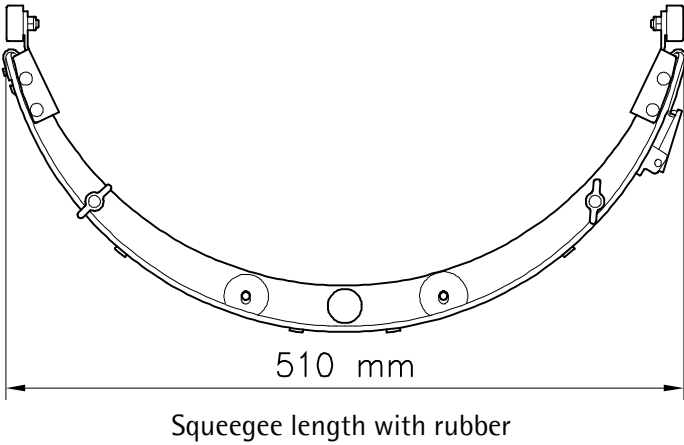
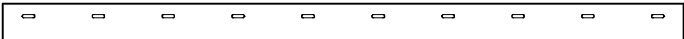
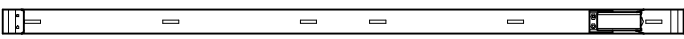
baby **(standard)**

	CODE	MATERIAL	DIMENSIONS (mm)
	48410010	Para 40 sh	505 x 24,5 x 3
 410 mm Squeegee length with rubber	V8210020	ZAMA 15 ZnAl4Cu1	
	48410060	Para 33 sh	556 x 39 x 3
	V8310010	INOX	

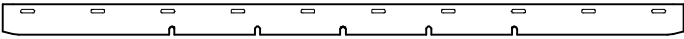

Optional

	CODE	MATERIAL	DIMENSIONS (mm)
	48410090	PU	505 x 24,5 x 3
	48410070 48410080	PU Linatex	556 x 39 x 3

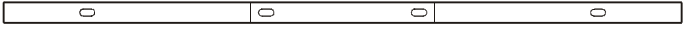

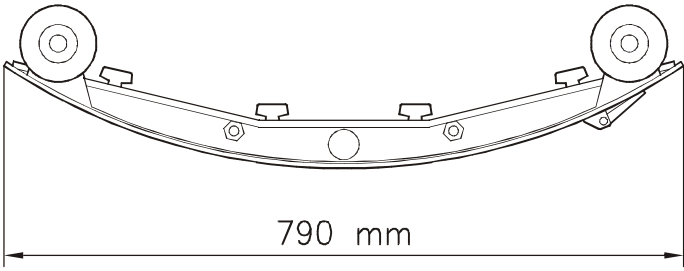
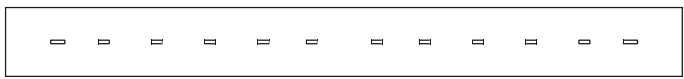

baby 43 (standard)

	CODE	MATERIAL	DIMENSIONS (mm)
	48413010 48413030	Para 40 sh PU	650 x 29 x 3
	V8213010	ZAMA 15 ZnAl4Cu1	
	48413020	Para 40 sh	707 x 44 x 3
	V8313010	INOX	

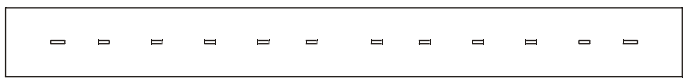
Optional

	CODE	MATERIAL	DIMENSIONS (mm)
	48413030	PU	650 x 29 x 3
	48413040 48413050	PU 33 sh	707 x 44 x 4 707 x 44 x 3

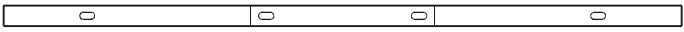

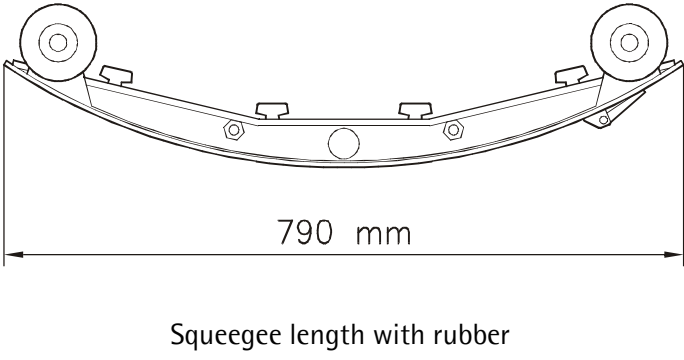
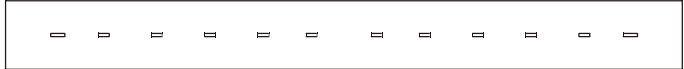
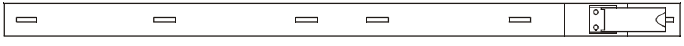
ruby b (only spare parts)

	CODE	MATERIAL	DIMENSIONS (mm)
	48301020 48301030	Inox Fe (iron)	
	48401020	PU	802 x 45
 Squeegee length with rubber	V8201010 V8201020	Inox Fe (iron)	Assy - 790 Assy - 790
	48401010	Para 40 sh	829 x 75 x 5
	V8301010	Inox	

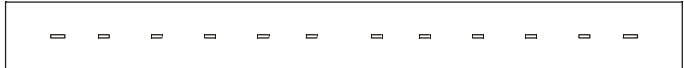
Optional

	CODE	MATERIAL	DIMENSIONS (mm)
	48401030	Para 33 sh	829 x 75 x 5
	48401040	Oil-resistant	829 x 75 x 4
	48401050	Para 50 sh	829 x 75 x 5
	48401100	Linatex	829 x 75 x 5
	48401120	PU	829 x 75 x 5

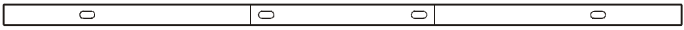
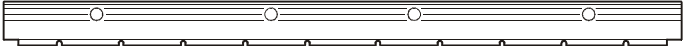
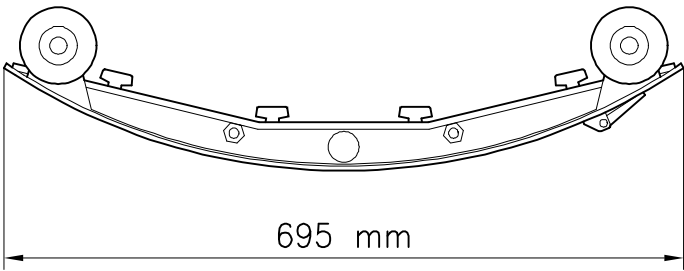
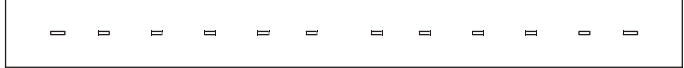
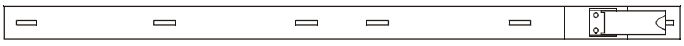
ruby 45e/50e/55e (only spare parts)

	CODE	MATERIAL	DIMENSIONS (mm)
	48301020 48301030	Inox Fe (iron)	
	48401020	PU	802 x 45
 Squeegee length with rubber	V8205010 V8205020	Inox Fe (iron)	Assy - 790 Assy - 790
	48401030	Para 33 sh	829 x 75 x 5
	V8301010	Inox	

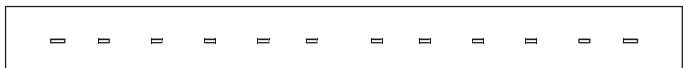
Optional

	CODE	MATERIAL	DIMENSIONS (mm)
	48401010	Para 40 sh	829 x 75 x 5
	48401040	Oil-resistant	829 x 75 x 4
	48401050	Para 50 sh	829 x 75 x 5
	48401100	Linatex	829 x 75 x 5
	48401120	PU	829 x 75 x 5


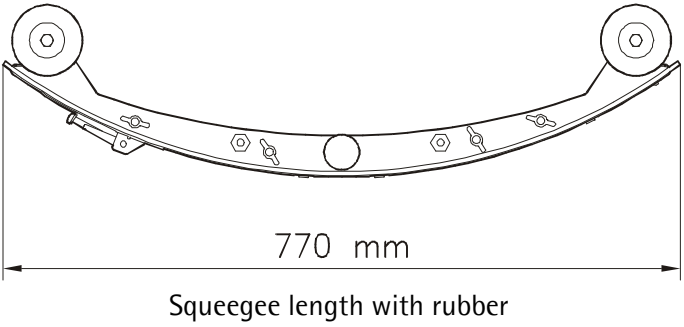
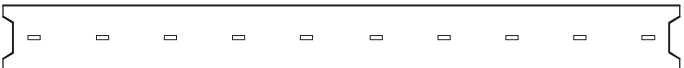
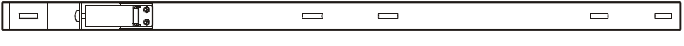
ruby (optional) short squeegee

	CODE	MATERIAL	DIMENSIONS (mm)
	48301060	Fe (iron)	
	48401070	PU	710 x 45
 <p style="text-align: center;">695 mm</p> <p style="text-align: center;">Squeegee length with rubber</p>	V8201040	Fe (iron)	Assy - 680
	48401060	Para 40 sh	731 x 75 x 5
	V8301020	Inox	

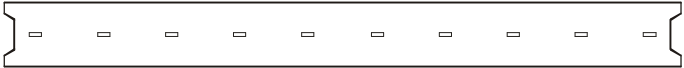
Optional

	CODE	MATERIAL	DIMENSIONS (mm)
	48401080	Para 33 sh	731 x 75 x 5
	48401090	Oil-resistant	731 x 75 x 4

ruby b + ruby 50e II - Aluminium version (standard)

	CODE	MATERIAL	DIMENSIONS (mm)
	48405020	PU	762 x 41
	V8201050	G-Al Si 13	Assy - 770
	48405010	Para 40 sh	820 x 75 x 5
	V8301030	INOX	


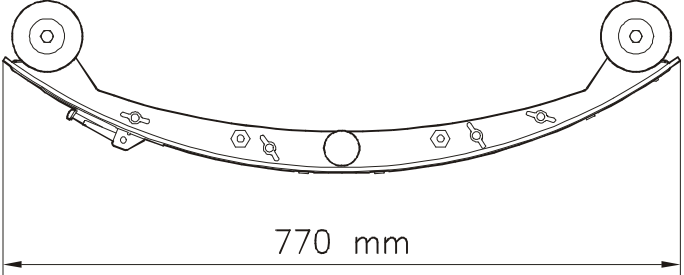
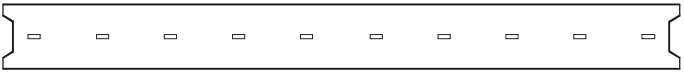
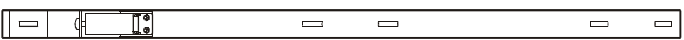
Optional

	CODE	MATERIAL	DIMENSIONS (mm)
	48405030 48405040	Para 33 sh PU	820 x 75 x 5 820 x 75 x 5

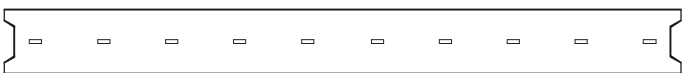
Starting serial number: 10003302 for ruby 50e II

Starting serial number: 10003332 for ruby b

ruby 45e - ruby 55e - Aluminium version (standard)



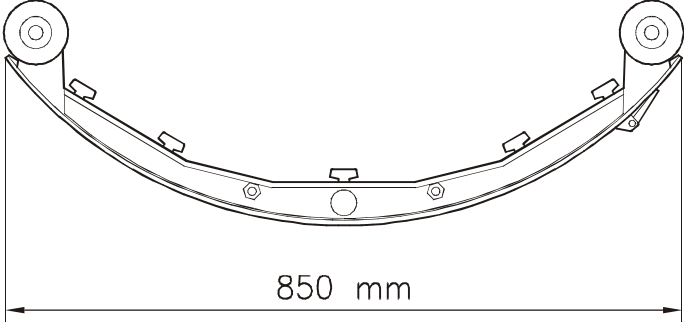

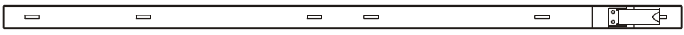
	CODE	MATERIAL	DIMENSIONS (mm)
	48405020	PU	762 x 41
 770 mm Squeegee length with rubber	V8205030	G-Al Si 13	Assy - 770
	48405030	Para 33 sh	820 x 75 x 5
	V8301030	INOX	

Optional

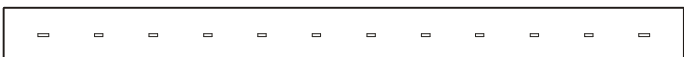
	CODE	MATERIAL	DIMENSIONS (mm)
	48405010 48405040	Para 40 sh PU	820 x 75 x 5 820 x 75 x 5

Starting serial number: 10003302

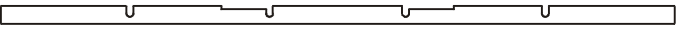
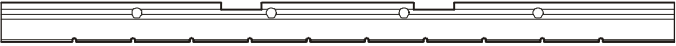
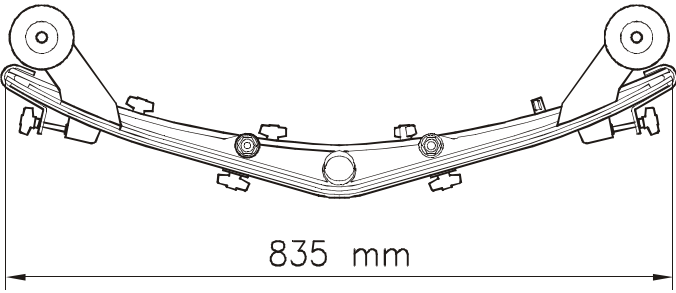

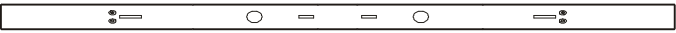
jade 50/55/66/55c **(standard)**

	CODE	MATERIAL	DIMENSIONS (mm)
	48302020 48302030	Inox Fe (iron)	
	48402020	PU	923 x 45
 Squeegee length with rubber	V8202010 V8202030	Inox Fe (iron)	Assy - 850 Assy narrow-850
	48402010	Para 40 sh	985 x 75 x 5
	V8302010	Inox	


Optional

	CODE	MATERIAL	DIMENSIONS (mm)
	48402030 48402040 48402050 48402060 48402070	Para 33 sh Oil-resistant Para 50 sh Linatex PU	985 x 75 x 5 985 x 75 x 4 985 x 75 x 5 985 x 75 x 5 985 x 75 x 5

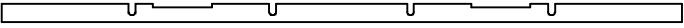

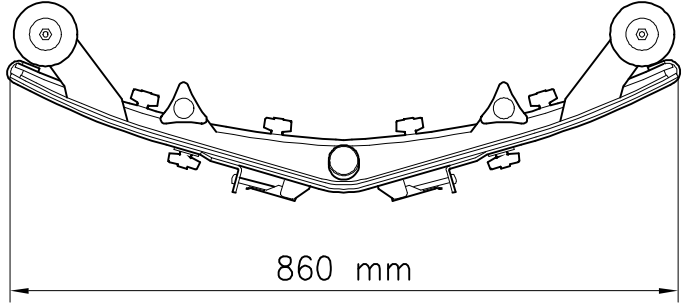


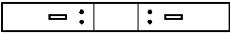
jade 50/55/66/55c (optional)

	CODE	MATERIAL	DIMENSIONS (mm)
	48302040	Fe	
	48402100	PU	853 x 50
 <p style="text-align: center;">835 mm</p> <p style="text-align: center;">Squeegee length with rubber</p>	V8202050	Fe	Assy - 835
	48402080	Para 40 sh	884 x 90 x 5
	48302050	Fe	


Optional

	CODE	MATERIAL	DIMENSIONS (mm)
	48402090	Linatex	884 x 90 x 5



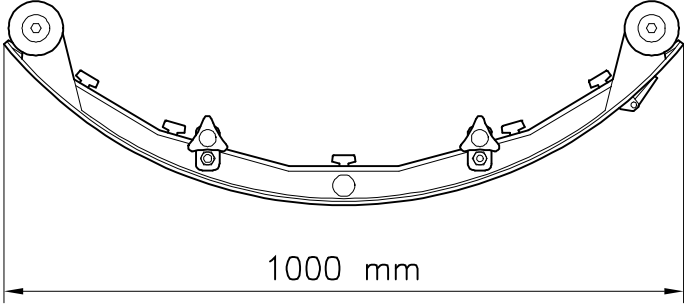


opal 66 "V" (standard)

	CODE	MATERIAL	DIMENSIONS (mm)
	48308010	Fe	
	48408020	PU	847 x 50
 860 mm Squeegee length with rubber	V8208020	Fe	Assy - 860
	48408010	Para 40 sh	910 x 90 x 5
	2 x 20804010	Fe	
	48308020	Fe	


Optional

	CODE	MATERIAL	DIMENSIONS (mm)
	48408040	Para 33 sh	910 x 90 x 5
	48408030	Linatex	910 x 90 x 5
	---	PU	
REAR			



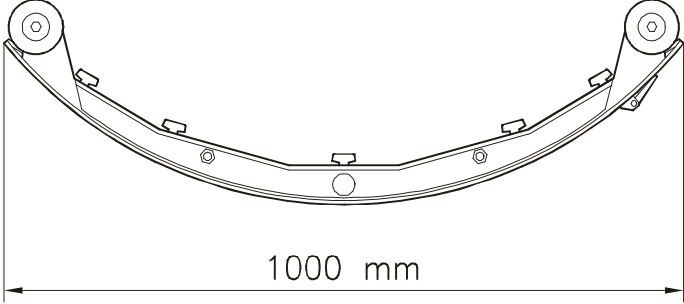
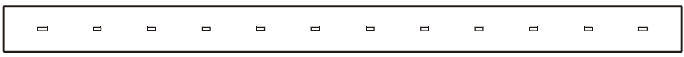
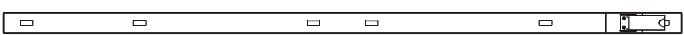
opal 80 **(standard)**

	CODE	MATERIAL	DIMENSIONS (mm)
	48306130	Fe	
	48403020	PU	1057 x 45
 <p style="text-align: center;">1000 mm</p> <p style="text-align: center;">Squeegee length with rubber</p>	V8214010	Fe	Assy - 1000
	48406100	Para 40 sh	1135 x 75 x 6
	V8306020	Inox	

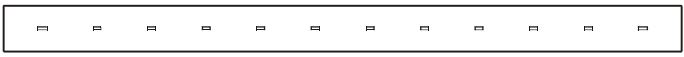
Optional

	CODE	MATERIAL	DIMENSIONS (mm)
	48406110	Oil-resistant	1135 x 75 x 5
	48406120	Para 33 sh	1135 x 75 x 6
	48406130	Linatex	1135 x 75 x 6
	48406140	PU	1135 x 75 x 6



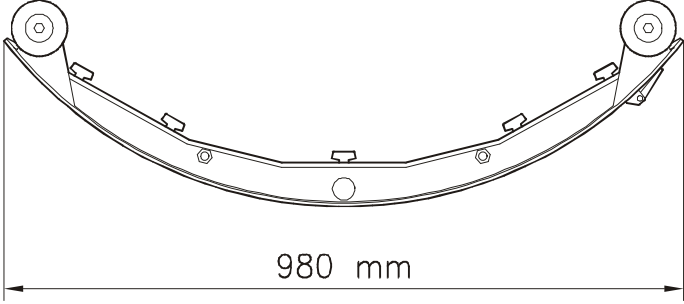

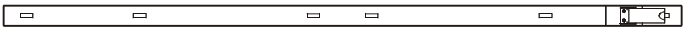
amber 66 (series heavy narrow standard)

	CODE	MATERIAL	DIMENSIONS (mm)
	48306130	Fe (iron)	
	48403020	PU	1057 x 45
 <p style="text-align: center;">1000 mm</p> <p style="text-align: center;">Squeegee length with rubber</p>	V8206110	Fe (iron)	Assy - 950
	48406100	Para 40 sh	1135 x 75 x 6
	V8306020	Inox	


Optional

	CODE	MATERIAL	DIMENSIONS (mm)
	48406110	Oil-resistant	1135 x 75 x 5
	48406120	Para 33 sh	1135 x 75 x 6
	48406130	Linatex	1135 x 75 x 6
	48406140	PU	1135 x 75 x 6



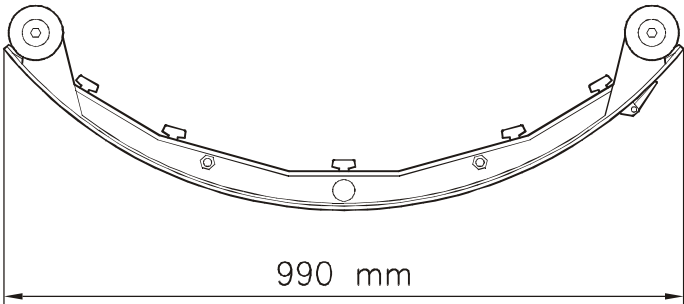
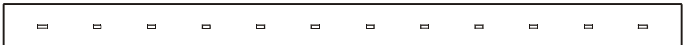
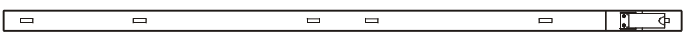
amber 66 (series light only spare parts)

	CODE	MATERIAL	DIMENSIONS (mm)
	48303020 48303030	Inox Fe (iron)	
	48403020	PU	1057 x 45
 <p style="text-align: center;">980 mm</p> <p>*no assembly available, only single part numbers</p>			
	48403010	Para 40 sh	1135 x 75 x 5
	V8306020	Inox	

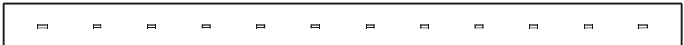
Optional

	CODE	MATERIAL	DIMENSIONS (mm)
	48403030 48403040 48403090 48403130	Para 33 sh Para 50 sh Oil-resistant PU	1135 x 75 x 5 1135 x 75 x 5 1135 x 75 x 4 1135 x 75 x 5

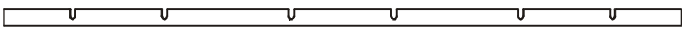

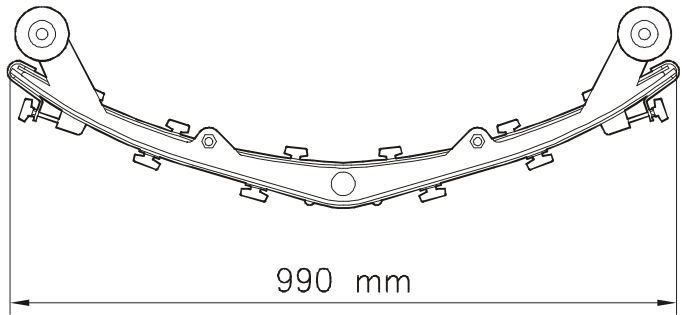
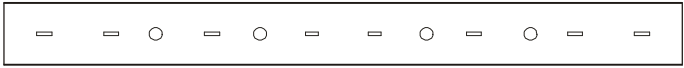
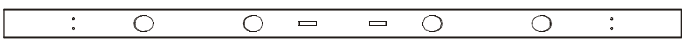
amber 66 (series heavy only spare parts) not narrow

	CODE	MATERIAL	DIMENSIONS (mm)
	48306110 48306120	Inox Fe (iron)	
	48403020	PU	1057 x 45
 *no assembly available, only single part numbers			
	48406100	Para 40 sh	1135 x 75 x 6
	V8306020	Inox	

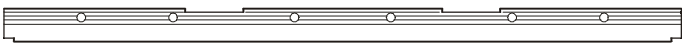
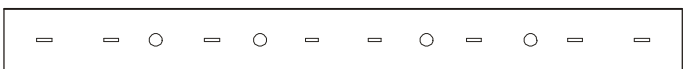
Optional

	CODE	MATERIAL	DIMENSIONS (mm)
	48406110 48406120 48406130 48406140	Oil-resistant Para 33 sh Linatex PU	1135 x 75 x 5 1135 x 75 x 6 1135 x 75 x 6 1135 x 75 x 6



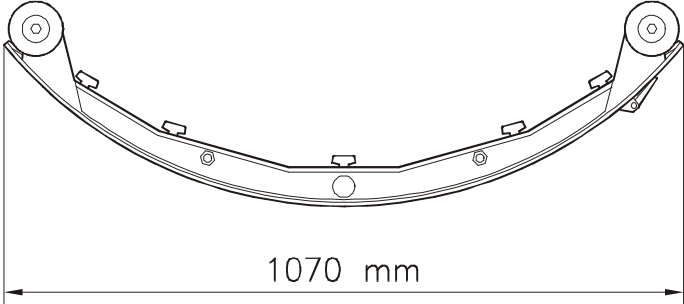
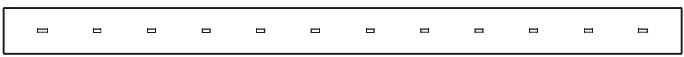
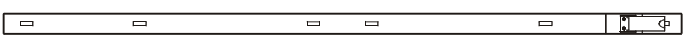
amber 66 "V" (optional)

	CODE	MATERIAL	DIMENSIONS (mm)
	48306170	Fe	
	48406210	PU	1020 x 50
 <p style="text-align: center;">990 mm Squeegee length with rubber</p>	V8203100	Fe	Assy - 990
	48406190	Para 40 sh	1073 x 95 x 6
	48306160	Fe	

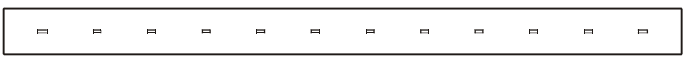
Optional

	CODE	MATERIAL	DIMENSIONS (mm)
 <p style="text-align: center;">FRONT</p>	48406220	PU	1020 x 50
 <p style="text-align: center;">REAR</p>	--- 48406200 ---	Para 33 sh Linatex PU	1073 x 95 x 6



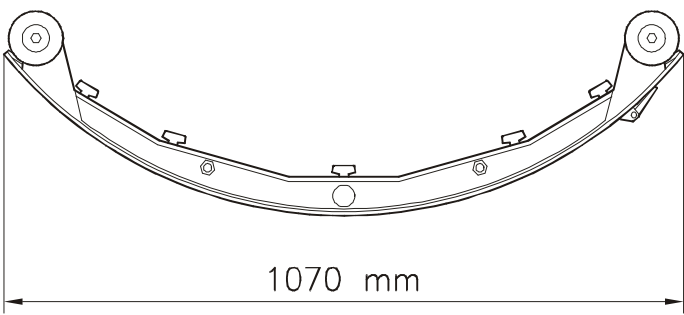
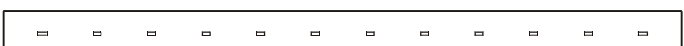

amber 83 (series heavy narrow standard)

	CODE	MATERIAL	DIMENSIONS (mm)
	48306060 48306080	Inox Fe (iron)	
	48403060	PU	1120 x 45
 <p style="text-align: center;">1070 mm</p> <p style="text-align: center;">Squeegee length with rubber</p>	V8206060	Fe (iron)	Assy – 1070 medium
	48406050	Para 40 sh	1198 x 75 x 6
	V8306060	Inox	


Optional

	CODE	MATERIAL	DIMENSIONS (mm)
	48406060 48406070 48406080 48406090	Para 33 sh Linatex Oil-resistant PU	1198 x 75 x 6 1198 x 75 x 6 1198 x 75 x 5 1198 x 75 x 6



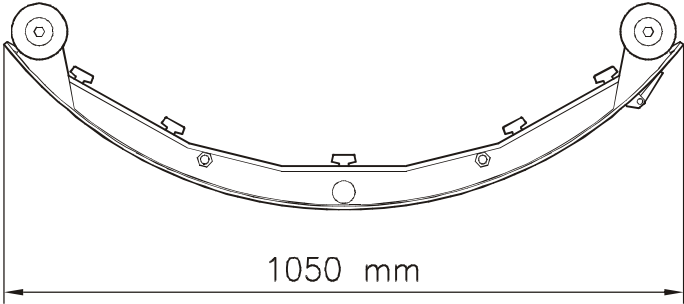
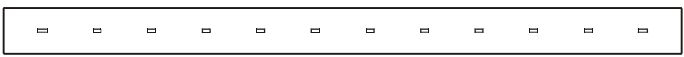

amber 83 (series heavy only spare parts)

	CODE	MATERIAL	DIMENSIONS (mm)
	48306070	Fe (iron)	
	48403060	PU	1120 x 45
 <p>1070 mm</p> <p>*no assembly available, only single part numbers</p>			
	48406050	Para 40 sh	1198 x 75 x 6
	V8306060	Inox	

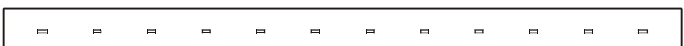
Optional

	CODE	MATERIAL	DIMENSIONS (mm)
	48406060	Para 33 sh	1198 x 75 x 6
	48406070	Linatex	1198 x 75 x 6
	48406080	Oil-resistant	1198 x 75 x 5
	48406090	PU	1198 x 75 x 6



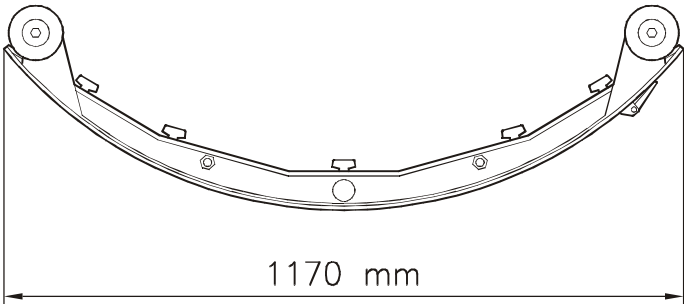
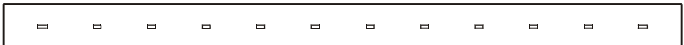
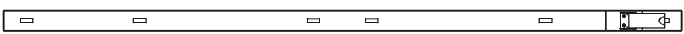
amber 83 (series light only spare parts)

	CODE	MATERIAL	DIMENSIONS (mm)
	48303060 48303070	Inox Fe (iron)	
	48403060	PU	1120 x 45
 *no assembly available, only single part numbers			
	48403050	Para 40 sh	1198 x 75 x 5
	V8306060	Inox	

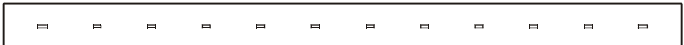
Optional

	CODE	MATERIAL	DIMENSIONS (mm)
	48403070 48403080 48403120 48403140	Para 33 sh Para 50 sh Oil-resistant PU	1198 x 75 x 5 1198 x 75 x 5 1198 x 75 x 4 1198 x 75 x 5



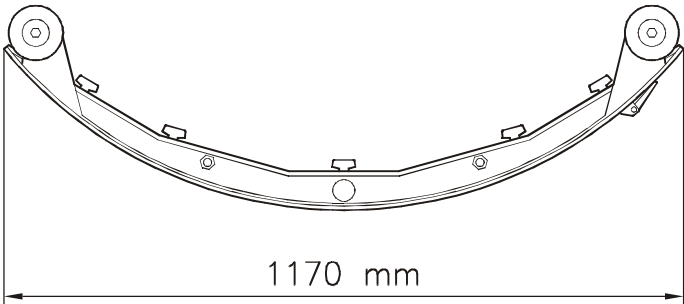
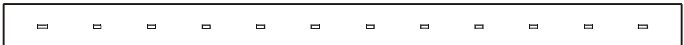
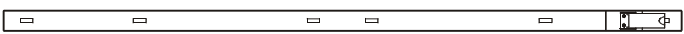
amber 83 (series heavy only spare parts)

	CODE	MATERIAL	DIMENSIONS (mm)
	48306020 48306030	Inox Fe (iron)	
	48403110	PU	1194 x 45
 <p>1170 mm</p> <p>*no assembly available, only single part numbers</p>			
	48406010	Para 40 sh	1290 x 75 x 6
	V8306110	Inox	

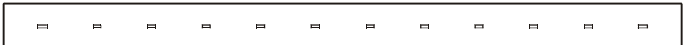
Optional

	CODE	MATERIAL	DIMENSIONS (mm)
	48406020	Para 33 sh	1290 x 75 x 6
	48406030	Oil-resistant	1290 x 75 x 5
	48406035	Linatex	1290 x 75 x 6
	48406040	PU	1290 x 75 x 6



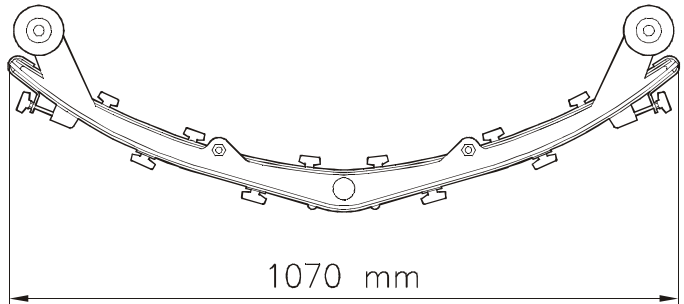


amber 83 (series heavy narrow optional long)

	CODE	MATERIAL	DIMENSIONS (mm)
	48306040	Fe (iron)	
	48403110	PU	1194 x 45
 <p style="text-align: center;">1170 mm</p> <p style="text-align: center;">Squeegee length with rubber</p>	V8206020	Fe (iron)	Assy - 1150
	48406010	Para 40 sh	1290 x 75 x 6
	V8306110	Inox	


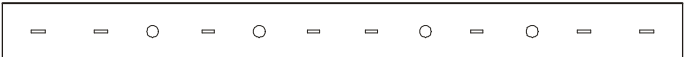
Optional

	CODE	MATERIAL	DIMENSIONS (mm)
	48406020	Para 33 sh	1290 x 75 x 6
	48406030	Oil-resistant	1290 x 75 x 5
	48406035	Linatex	1290 x 75 x 6
	48406040	PU	1290 x 75 x 6

amber 83 "V" (optional)



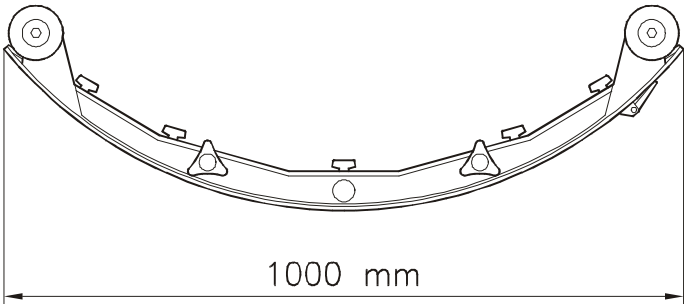
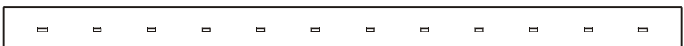

	CODE	MATERIAL	DIMENSIONS (mm)
	48306150	Fe (iron)	
	48406160	PU	1120 x 50
 1070 mm Squeegee length with rubber	V8203090	Fe (iron)	Assy - 1070
	48406150	Para 40 sh	1177 x 95 x 6
	48306140	Fe (iron)	

Optional


	CODE	MATERIAL	DIMENSIONS (mm)
 FRONT	48406180	PU	1120 x 50
 REAR	---	Para 33 sh	1177 x 95 x 6
	48406170	Linatex	1177 x 95 x 6
	---	PU	1177 x 95 x 6

Optional starting serial number: 11002151



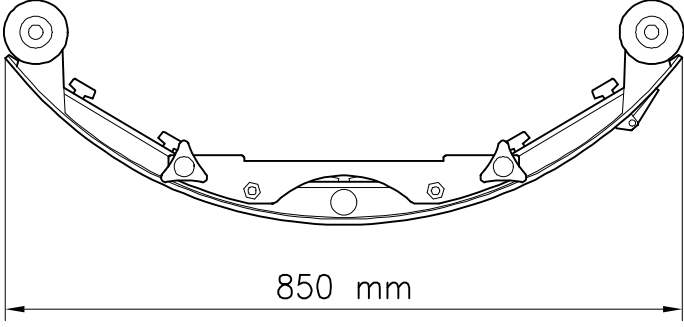
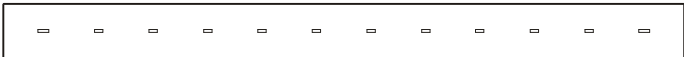

coral 65/65II/85/70s - sapphire 65/70s **(series heavy narrow standard)**

	CODE	MATERIAL	DIMENSIONS (mm)
	48306130	Fe (iron)	
	48403020	PU	1057 x 45
 1000 mm Squeegee length with rubber	V8206120	Fe (iron)	Assy - 1000
	48406100	Para 40 sh	1135 x 75 x 6
	V8306020	Inox	

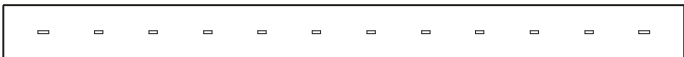
Optional

	CODE	MATERIAL	DIMENSIONS (mm)
	48406110	Oil-resistant	1135 x 75 x 5
	48406120	Para 33 sh	1135 x 75 x 6
	48406130	Linatex	1135 x 75 x 6
	48406140	PU	1135 x 75 x 6

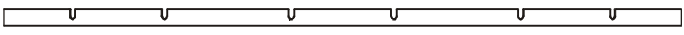

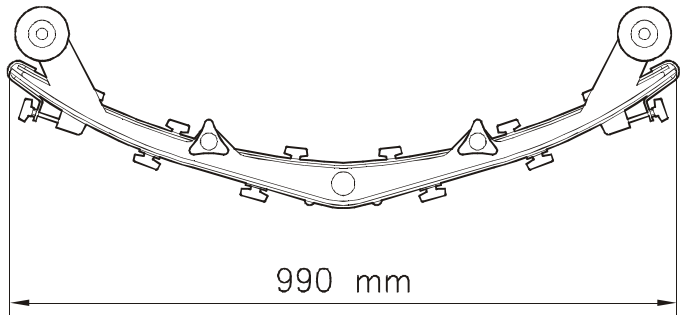
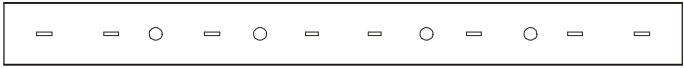
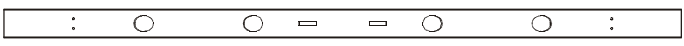
coral 65/65II/85 (optional)

	CODE	MATERIAL	DIMENSIONS (mm)
	48302030	Fe	
	48402020	PU	923 x 45
 850 mm Squeegee length with rubber	V8208010	Fe	Assy short - 850
	48402010	Para 40 sh	985 x 75 x 5
	V8302010	Inox	

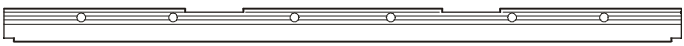
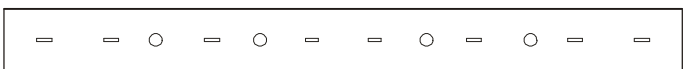
Optional

	CODE	MATERIAL	DIMENSIONS (mm)
	48402030	Para 33 sh	985 x 75 x 5
	48402040	Oil-resistant	985 x 75 x 4
	48402050	Para 50 sh	985 x 75 x 5
	48402060	Linatex	985 x 75 x 5
	48402070	PU	985 x 75 x 5

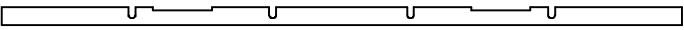

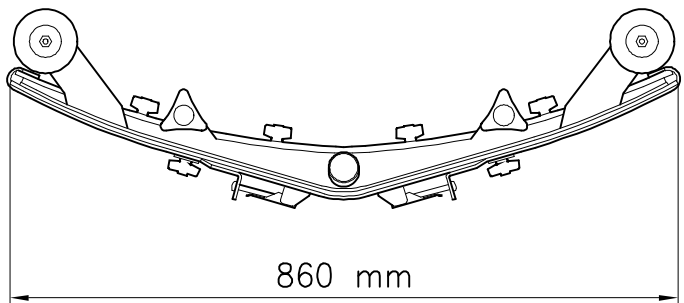
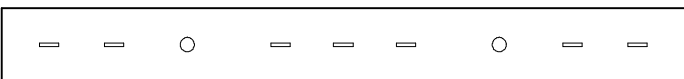

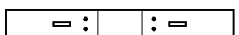
coral 65/65II/85 "V" (optional)

	CODE	MATERIAL	DIMENSIONS (mm)
	48306170	Fe	
	48406210	PU	1020 x 50
 <p style="text-align: center;">990 mm</p> <p style="text-align: center;">Squeegee length with rubber</p>	V8206140	Fe	Assy - 990
	48406190	Para 40 sh	1073 x 95 x 6
	48306160	Fe	


Optional

	CODE	MATERIAL	DIMENSIONS (mm)
 <p style="text-align: center;">FRONT</p>	48406220	PU	1020 x 50
 <p style="text-align: center;">REAR</p>	--- 48406200 ---	Para 33 sh Linatex PU	1073 x 95 x 6

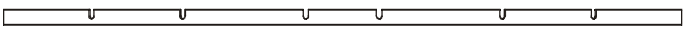

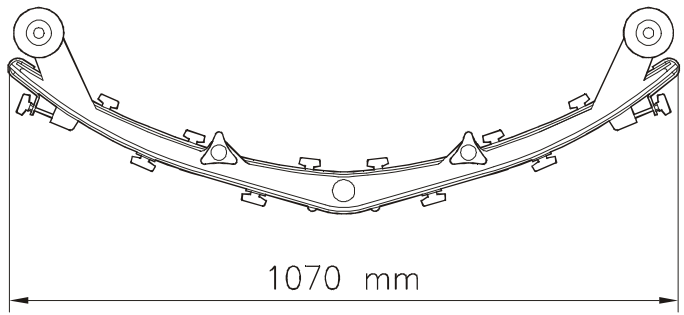
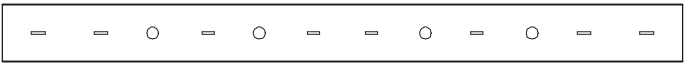
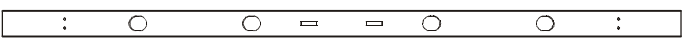
coral 65m "V" (standard)

	CODE	MATERIAL	DIMENSIONS (mm)
	48308010	Fe	
	48408020	PU	847 x 50
 860 mm Squeegee length with rubber	V8208020	Fe	Assy - 860
	48408010	Para 40 sh	910 x 90 x 5
	2 x 20804010	Fe	
	48308020	Fe	



Optional

	CODE	MATERIAL	DIMENSIONS (mm)
 REAR	48408040 48408030 ---	Para 33 sh Linatex PU	910 x 90 x 5 910 x 90 x 5



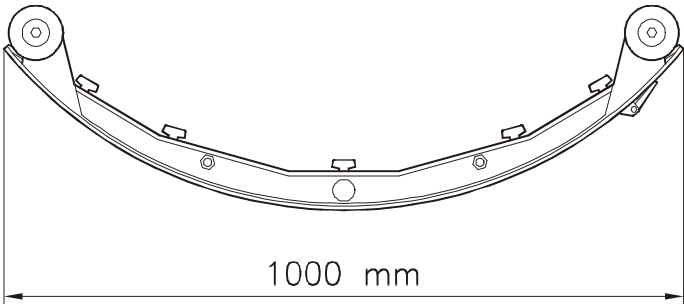
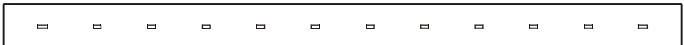
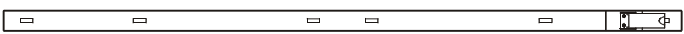
coral 70s "V" (optional)

	CODE	MATERIAL	DIMENSIONS (mm)
	48306150	Fe	
	48406160	PU	1120 x 50
 1070 mm Squeegee length with rubber	V8206130	Fe	Assy - 1070
	48406150	Para 40 sh	1177 x 95 x 6
	48306140	Fe	

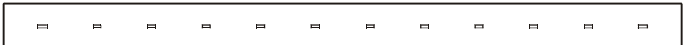
Optional

	CODE	MATERIAL	DIMENSIONS (mm)
 FRONT	48406180	PU	1120 x 50
 REAR	---	Para 33 sh	1177 x 95 x 6
	48406170	Linatex	1177 x 95 x 6
	---	PU	1177 x 95 x 6



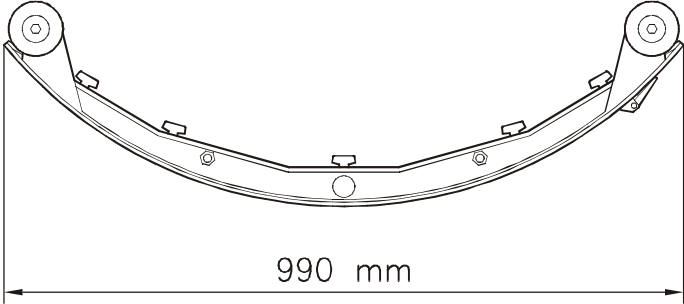

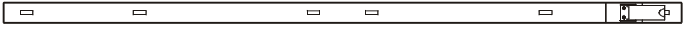
sapphire 65/70s (series heavy narrow old support only spare parts)

	CODE	MATERIAL	DIMENSIONS (mm)
	48306130	Fe (iron)	
	48403020	PU	1057 x 45
 <p style="text-align: center;">1000 mm</p> <p style="text-align: center;">Squeegee length with rubber</p>	V8206110	Fe (iron)	Assy - 950
	48406100	Para 40 sh	1135 x 75 x 6
	V8306020	Inox	


Optional

	CODE	MATERIAL	DIMENSIONS (mm)
	48406110	Oil-resistant	1135 x 75 x 5
	48406120	Para 33 sh	1135 x 75 x 6
	48406130	Linatex	1135 x 75 x 6
	48406140	PU	1135 x 75 x 6

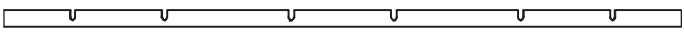

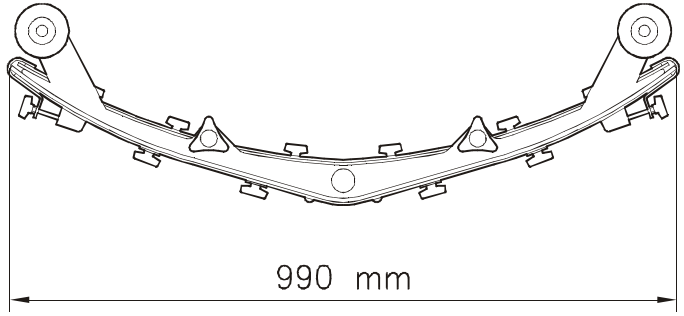
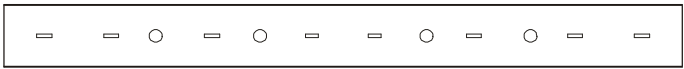
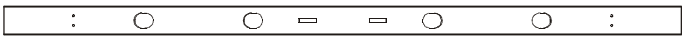
sapphire 65/70s (series heavy only spare parts)

	CODE	MATERIAL	DIMENSIONS (mm)
	48306110 48306120	Inox Fe (iron)	
	48403020	PU	1057 x 45
 <p>990 mm</p> <p>*no assembly available, only single part numbers</p>			
	48406100	Para 40 sh	1135 x 75 x 6
	V8306020	Inox	



Optional

	CODE	MATERIAL	DIMENSIONS (mm)
	48406110 48406120 48406130 48406140	Oil-resistant Para 33 sh Linatex PU	1135 x 75 x 5 1135 x 75 x 6 1135 x 75 x 6 1135 x 75 x 6



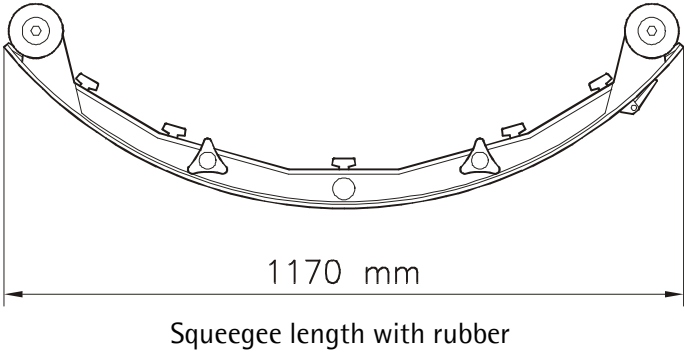
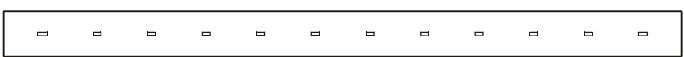
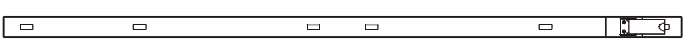
sapphire 65 "V" (optional)

	CODE	MATERIAL	DIMENSIONS (mm)
	48306170	Fe	
	48406210	PU	1020 x 50
 <p style="text-align: center;">990 mm</p> <p style="text-align: center;">Squeegee length with rubber</p>	V8206140	Fe	Assy - 990
	48406190	Para 40 sh	1073 x 95 x 6
	48306160	Fe	

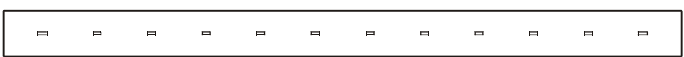
Optional

	CODE	MATERIAL	DIMENSIONS (mm)
 <p style="text-align: center;">FRONT</p>	48406220	PU	1020 x 50
 <p style="text-align: center;">REAR</p>	--- 48406200 ---	Para 33 sh Linatex PU	1073 x 95 x 6

sapphire 85s (series heavy narrow standard long)
sapphire 85 (optional) LONG



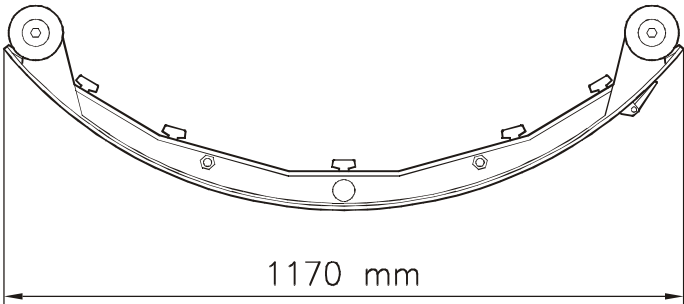
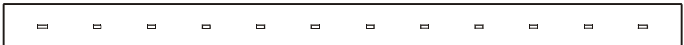
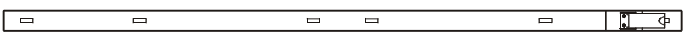
	CODE	MATERIAL	DIMENSIONS (mm)
	48306040	Fe (iron)	
	48403110	PU	1194 x 45
 1170 mm Squeegee length with rubber	V8206030	Fe (iron)	Assy - 1170
	48406010	Para 40 sh	1290 x 75 x 6
	V8306110	Inox	

Optional

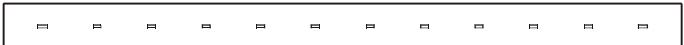
	CODE	MATERIAL	DIMENSIONS (mm)
	48406020	Para 33 sh	1290 x 75 x 6
	48406030	Oil-resistant	1290 x 75 x 5
	48406035	Linatex	1290 x 75 x 6
	48406040	PU	1290 x 75 x 6

Starting serial number: 11000201



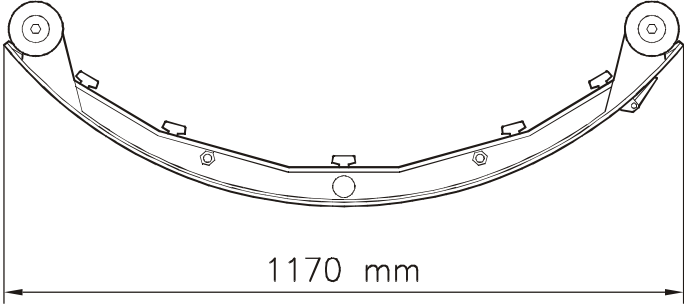

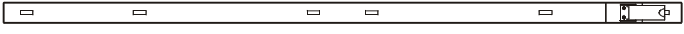
sapphire 85 (series heavy narrow old support only spare parts)

	CODE	MATERIAL	DIMENSIONS (mm)
	48306040	Fe (iron)	
	48403110	PU	1194 x 45
 <p style="text-align: center;">1170 mm</p> <p style="text-align: center;">Squeegee length with rubber</p>	V8206020	Fe (iron)	Assy - 1150
	48406010	Para 40 sh	1290 x 75 x 6
	V8306110	Inox	


Optional

	CODE	MATERIAL	DIMENSIONS (mm)
	48406020	Para 33 sh	1290 x 75 x 6
	48406030	Oil-resistant	1290 x 75 x 5
	48406035	Linatex	1290 x 75 x 6
	48406040	PU	1290 x 75 x 6



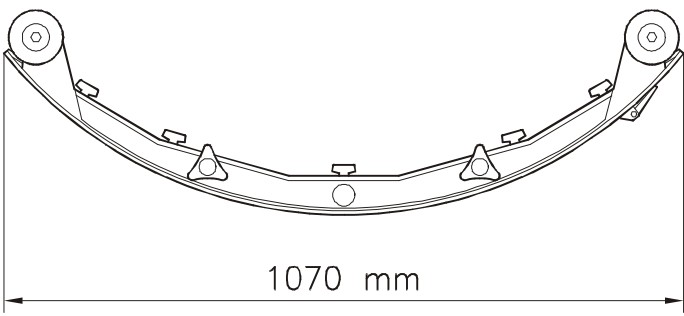
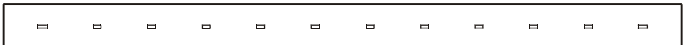
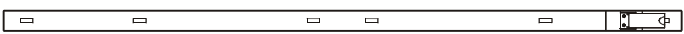
sapphire 85 (series heavy only spare parts long)

	CODE	MATERIAL	DIMENSIONS (mm)
	48306020 48306030	Inox Fe (iron)	
	48403110	PU	1194 x 45
 *no assembly available, only single part numbers			
	48406010	Para 40 sh	1290 x 75 x 6
	V8306110	Inox	

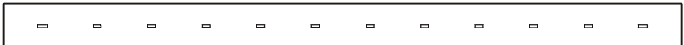
Optional

	CODE	MATERIAL	DIMENSIONS (mm)
	48406020 48406030 48406035 48406040	Para 33 sh Oil-resistant Linatex PU	1290 x 75 x 6 1290 x 75 x 5 1290 x 75 x 6 1290 x 75 x 6

sapphire 85 (series heavy narrow standard medium)
sapphire 85s (optional) MEDIUM



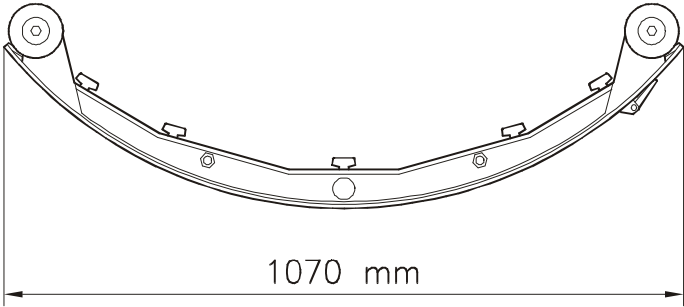

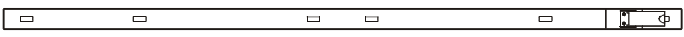
	CODE	MATERIAL	DIMENSIONS (mm)
	48306060 48306080	Inox Fe (iron)	
	48403060	PU	1120 x 45
 Squeegee length with rubber	V8206070	Fe (iron)	Assy – 1070
	48406050	Para 40 sh	1198 x 75 x 6
	V8306060	Inox	

Optional

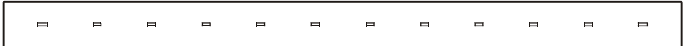
	CODE	MATERIAL	DIMENSIONS (mm)
	48406060	Para 33 sh	1198 x 75 x 6
	48406070	Linatex	1198 x 75 x 6
	48406080	Oil-resistant	1198 x 75 x 5
	48406090	PU	1198 x 75 x 6

Starting serial number: 11000201



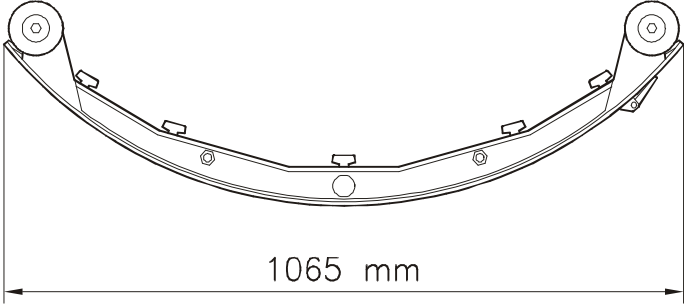
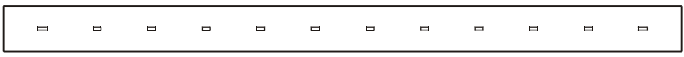
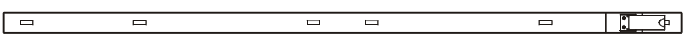
sapphire 85s/85 (series heavy narrow old only spare parts)

	CODE	MATERIAL	DIMENSIONS (mm)
	48306060 48306080	Inox Fe (iron)	
	48403060	PU	1120 x 45
 1070 mm Squeegee length with rubber	V8206060	Fe (iron)	Assy - 1050
	48406050	Para 40 sh	1198 x 75 x 6
	V8306060	Inox	

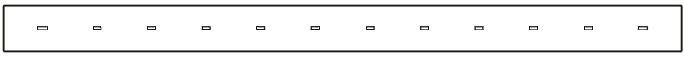
Optional

	CODE	MATERIAL	DIMENSIONS (mm)
	48406060	Para 33 sh	1198 x 75 x 6
	48406070	Linatex	1198 x 75 x 6
	48406080	Oil-resistant	1198 x 75 x 5
	48406090	PU	1198 x 75 x 6



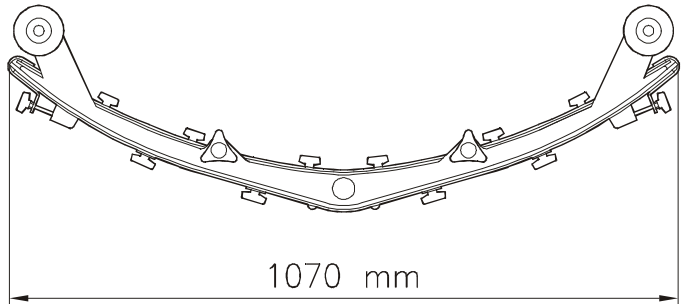


sapphire 85s (series heavy only spare parts)
sapphire 85 (optional heavy only spare parts)

	CODE	MATERIAL	DIMENSIONS (mm)
	48306070	Fe (iron)	
	48403060	PU	1120 x 45
 1065 mm *no assembly available, only single part numbers			
	48406050	Para 40 sh	1198 x 75 x 6
	V8306060	Inox	


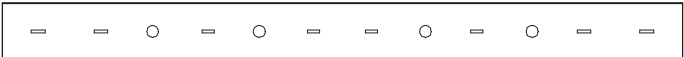
Optional

	CODE	MATERIAL	DIMENSIONS (mm)
	48406060	Para 33 sh	1198 x 75 x 6
	48406070	Linatex	1198 x 75 x 6
	48406080	Oil-resistant	1198 x 75 x 5
	48406090	PU	1198 x 75 x 6

sapphire 85/70s "V" (optional)

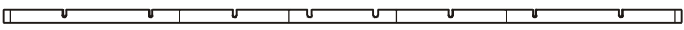

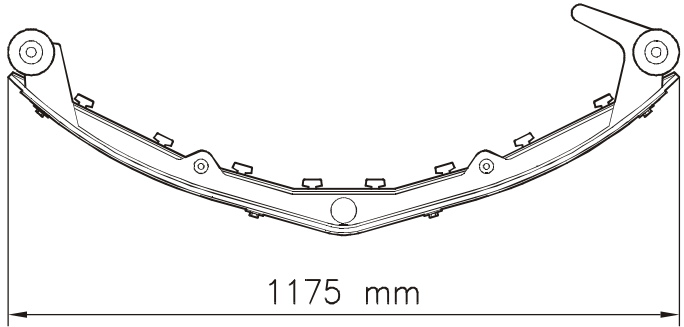
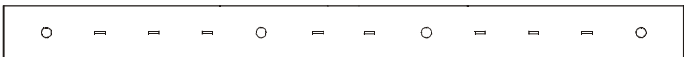
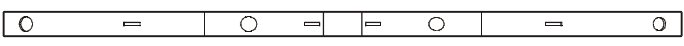
	CODE	MATERIAL	DIMENSIONS (mm)
	48306150	Fe (iron)	
	48406160	PU	1120 x 50
 <p style="text-align: center;">1070 mm</p> <p style="text-align: center;">Squeegie length with rubber</p>	V8206130	Fe (iron)	Assy - 1070
	48406150	Para 40 sh	1177 x 95 x 6
	48306140	Fe (iron)	

Optional


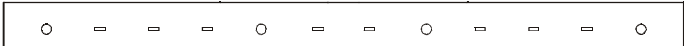
	CODE	MATERIAL	DIMENSIONS (mm)
 <p style="text-align: center;">FRONT</p>	48406180	PU	1120 x 50
 <p style="text-align: center;">REAR</p>	---	Para 33 sh	1177 x 95 x 6
	48406170	Linatex	1177 x 95 x 6
	48406175	PU	1177 x 95 x 6

Optional starting serial number: 11002206

diamond 85/100 (only spare parts)

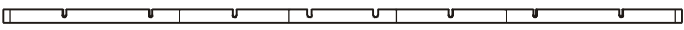

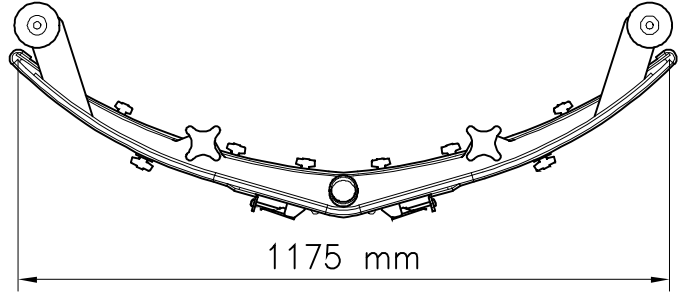


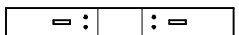
	CODE	MATERIAL	DIMENSIONS (mm)
	48307150	Fe (iron)	
	48407080	PU 85shore	1271 x 50
 <p style="text-align: center;">1175 mm</p> <p style="text-align: center;">Squeegee length with rubber</p>	V8207030	Fe (iron)	Assy - 1110 mixed shape
	48407090	Para 33 sh	1307 x 100 x 8
	48307160	Fe (iron)	

Optional



	CODE	MATERIAL	DIMENSIONS (mm)
 <p style="text-align: center;">FRONT</p>	48407110	PU	1271 x 50
 <p style="text-align: center;">REAR</p>	48407070 48407100	Linatex PU	1307 x 100 x 8 1307 x 100 x 8

Up to serial number: 10001513

diamond 85/100 (standard series heavy)

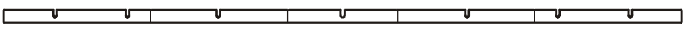

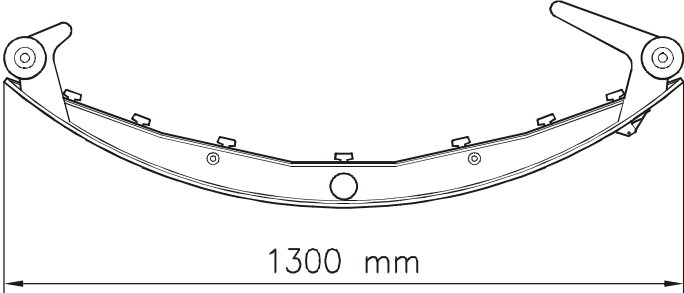
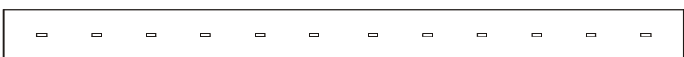
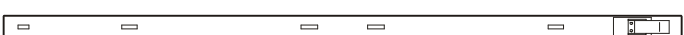
	CODE	MATERIAL	DIMENSIONS (mm)
	48307180	Fe	
	48407130	PU 85 sh	1256 x 50
 <p>1175 mm Squeegee length with rubber</p>	V8207040	Fe	Assy - 1175 mixed shape
	48407120	PARA 40 sh	1333 x 100 x 8
	2 x 20704050	Fe	
	48307200	Fe	

Optional

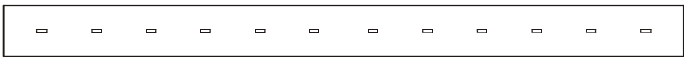
	CODE	MATERIAL	DIMENSIONS (mm)
 <p>FRONT</p>	48407150	PU 85 sh	1256 x 50
 <p>REAR</p>	48407140 48407160	LINATEX PU	1333 x 100 x 8 1333 x 100 x 8

Starting from serial number: 14003177

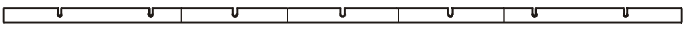

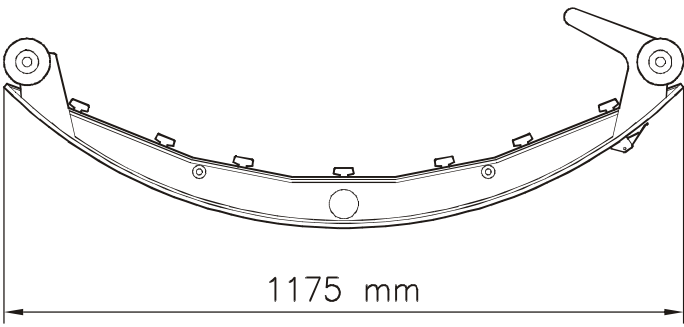
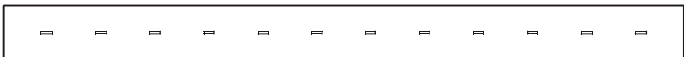
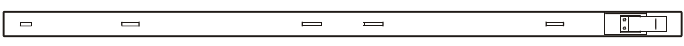
diamond 100s (standard)

	CODE	MATERIAL	DIMENSIONS (mm)
	48307130	Fe (iron)	
	48407020	Vulkollan	1337 x 52,5
 <p style="text-align: center;">1300 mm</p> <p style="text-align: center;">Squeegee length with rubber</p>	V8207020	Fe (iron)	Assy - 1230
	48407010	Para 33 sh	1408 x 100 x 8
	V8307030	Inox	

Optional

	CODE	MATERIAL	DIMENSIONS (mm)
	48407030 48407040	Linatex PU	1408 x 100 x 8 1408 x 100 x 8

diamond 85 (1st series)

	CODE	MATERIAL	DIMENSIONS (mm)
	48307120	Fe (iron)	
	48407060	Vulkollan	
 <p>1175 mm</p> <p>*no assembly available, only single part numbers</p>			
	48407050	Para 33 sh	
	V8307010	Inox	