

## Specifications of the material

PU (polyurethane): it is a transparent oil resistant material and dries well also tiled floors and floors with medium-sized joints.

Antiolio (Oil-resistant): white colour with hardness which goes between 40sh and 50sh. Suitable to dry oily floors, but not with an elevated drying result and rolled concrete floor (not tiled floors).

Vulkollan: particular type of polyurethane; it is used mainly for the front rubber (striped). It does not have particular drying characteristics.

Para 33 shore: dark red colour; it is a very pure natural rubber and it has excellent drying characteristics, especially on tiled floors. Because of its softness, this rubber is not recommended on very rough floors.



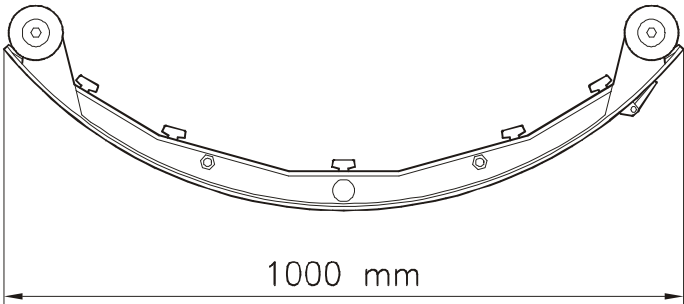
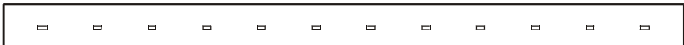
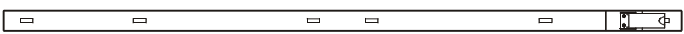
Para 40 shore: brown colour; it has good drying characteristics on all types of floors and it is also resistant.

Para 50 shore: light brown colour; suitable for industrial floors with an excellent resistance.

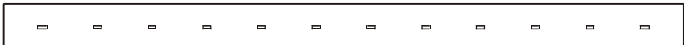
Linatex: it is the commercial name of a particular type of rubber in para (natural rubber). Its colour is light red and it is suitable especially on floors with large and deep joints (such as supermarket floors).

**PS: all squeegee rubbers are provided with the part number stamped, this to avoid ordering mistakes.**



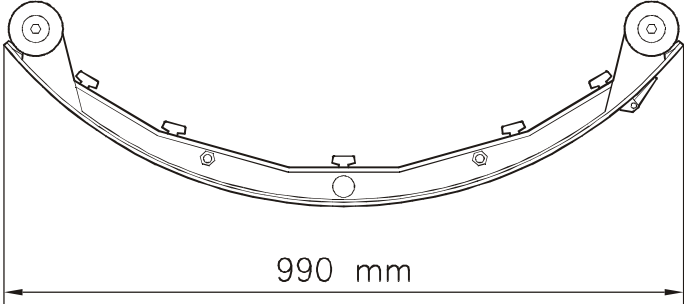

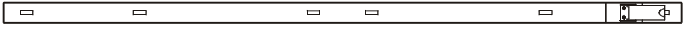
**sapphire 65/70s (series heavy narrow old support only spare parts)**

	CODE	MATERIAL	DIMENSIONS (mm)
	48306130	Fe (iron)	
	48403020	PU	1057 x 45
 <p style="text-align: center;">1000 mm</p> <p style="text-align: center;">Squeegee length with rubber</p>	V8206110	Fe (iron)	Assy - 950
	48406100	Para 40 sh	1135 x 75 x 6
	V8306020	Inox	


**Optional**

	CODE	MATERIAL	DIMENSIONS (mm)
	48406110	Oil-resistant	1135 x 75 x 5
	48406120	Para 33 sh	1135 x 75 x 6
	48406130	Linatex	1135 x 75 x 6
	48406140	PU	1135 x 75 x 6

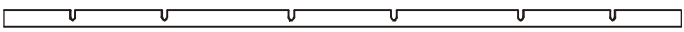

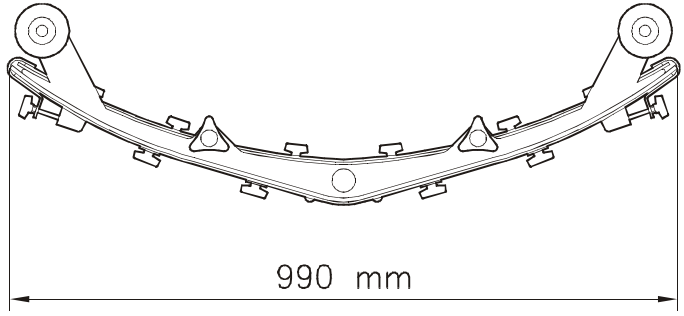
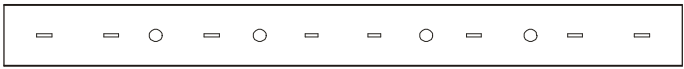
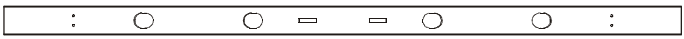
## sapphire 65/70s (series heavy only spare parts)

	CODE	MATERIAL	DIMENSIONS (mm)
	48306110 48306120	Inox Fe (iron)	
	48403020	PU	1057 x 45
 <p>990 mm</p> <p>*no assembly available, only single part numbers</p>			
	48406100	Para 40 sh	1135 x 75 x 6
	V8306020	Inox	

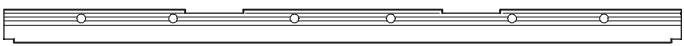
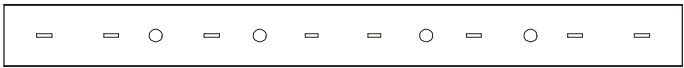
## Optional

	CODE	MATERIAL	DIMENSIONS (mm)
	48406110 48406120 48406130 48406140	Oil-resistant Para 33 sh Linatex PU	1135 x 75 x 5 1135 x 75 x 6 1135 x 75 x 6 1135 x 75 x 6



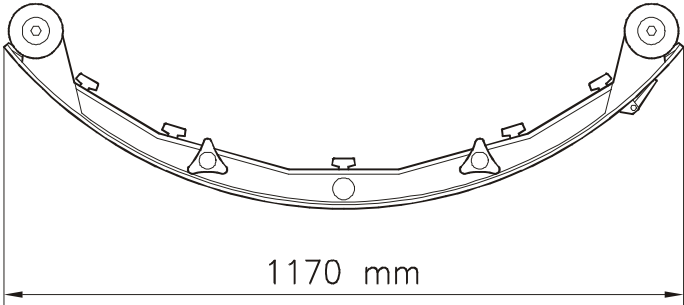
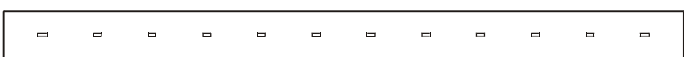
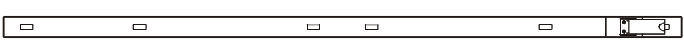
**sapphire 65 "V" (optional)**

	CODE	MATERIAL	DIMENSIONS (mm)
	48306170	Fe	
	48406210	PU	1020 x 50
 <p style="text-align: center;">990 mm</p> <p style="text-align: center;">Squeegee length with rubber</p>	V8206140	Fe	Assieme - 990
	48406190	Para 40 sh	1073 x 95 x 6
	48306160	Fe	

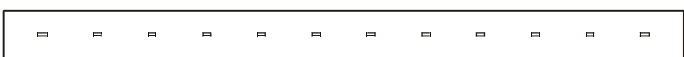
**Optional**

	CODE	MATERIAL	DIMENSIONS (mm)
 <p style="text-align: center;">FRONT</p>	48406220	PU	1020 x 50
 <p style="text-align: center;">REAR</p>	--- 48406200 ---	Para 33 sh Linatex PU	1073 x 95 x 6

sapphire 85s (series heavy narrow standard long)  
sapphire 85 (optional) LONG



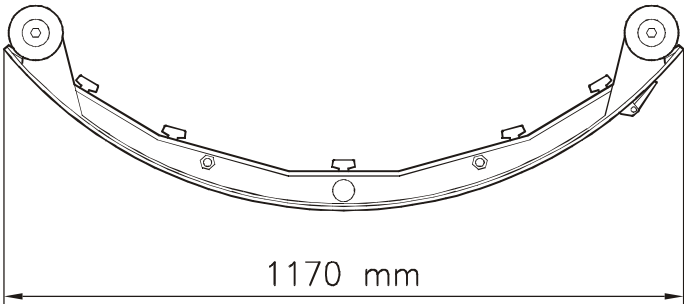
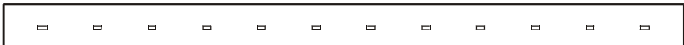
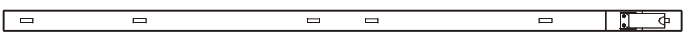
	CODE	MATERIAL	DIMENSIONS (mm)
	48306040	Fe (iron)	
	48403110	PU	1194 x 45
 1170 mm Squeegee length with rubber	V8206030	Fe (iron)	Assy - 1170
	48406010	Para 40 sh	1290 x 75 x 6
	V8306110	Inox	

Optional

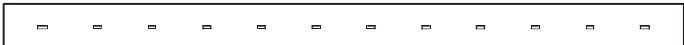
	CODE	MATERIAL	DIMENSIONS (mm)
	48406020	Para 33 sh	1290 x 75 x 6
	48406030	Oil-resistant	1290 x 75 x 5
	48406035	Linatex	1290 x 75 x 6
	48406040	PU	1290 x 75 x 6

Starting serial number: 11000201



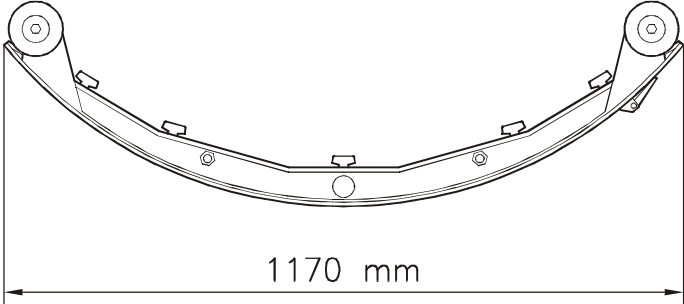

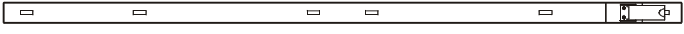
**sapphire 85 (series heavy narrow old support only spare parts)**

	CODE	MATERIAL	DIMENSIONS (mm)
	48306040	Fe (iron)	
	48403110	PU	1194 x 45
 <p style="text-align: center;">Squeegee length with rubber</p>	V8206020	Fe (iron)	Assy - 1150
	48406010	Para 40 sh	1290 x 75 x 6
	V8306110	Inox	


**Optional**

	CODE	MATERIAL	DIMENSIONS (mm)
	48406020	Para 33 sh	1290 x 75 x 6
	48406030	Oil-resistant	1290 x 75 x 5
	48406035	Linatex	1290 x 75 x 6
	48406040	PU	1290 x 75 x 6



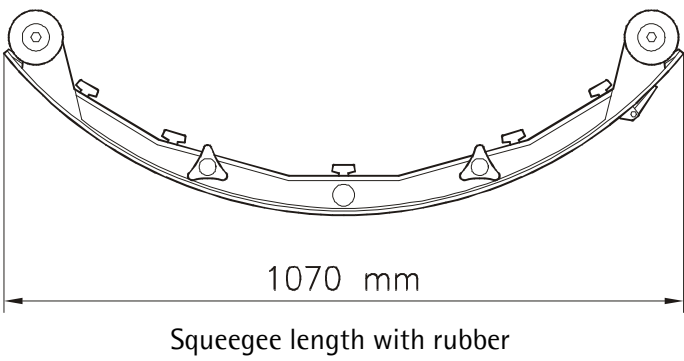
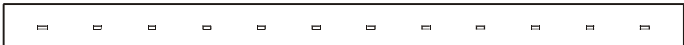
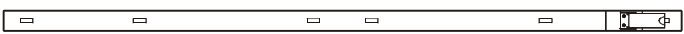
**sapphire 85 (series heavy only spare parts long)**

	CODE	MATERIAL	DIMENSIONS (mm)
	48306020 48306030	Inox Fe (iron)	
	48403110	PU	1194 x 45
  *no assembly available, only single part numbers			
	48406010	Para 40 sh	1290 x 75 x 6
	V8306110	Inox	

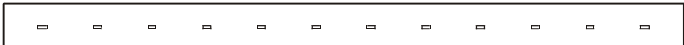
**Optional**

	CODE	MATERIAL	DIMENSIONS (mm)
	48406020 48406030 48406035 48406040	Para 33 sh Oil-resistant Linatex PU	1290 x 75 x 6 1290 x 75 x 5 1290 x 75 x 6 1290 x 75 x 6

sapphire 85 (series heavy narrow standard medium)  
sapphire 85s (optional) MEDIUM

	CODE	MATERIAL	DIMENSIONS (mm)
	48306060 48306080	Inox Fe (iron)	
	48403060	PU	1120 x 45
 Squeegee length with rubber	V8206070	Fe (iron)	Assy – 1070
	48406050	Para 40 sh	1198 x 75 x 6
	V8306060	Inox	



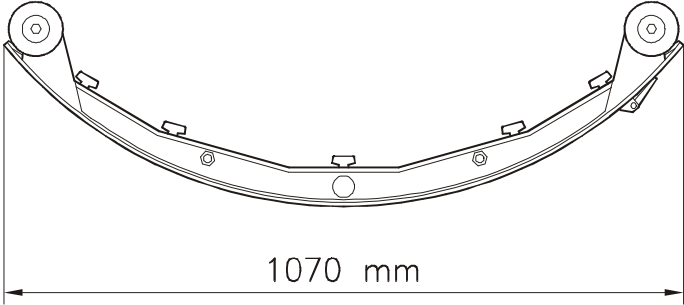


Optional

	CODE	MATERIAL	DIMENSIONS (mm)
	48406060	Para 33 sh	1198 x 75 x 6
	48406070	Linatex	1198 x 75 x 6
	48406080	Oil-resistant	1198 x 75 x 5
	48406090	PU	1198 x 75 x 6


Starting serial number: 11000201





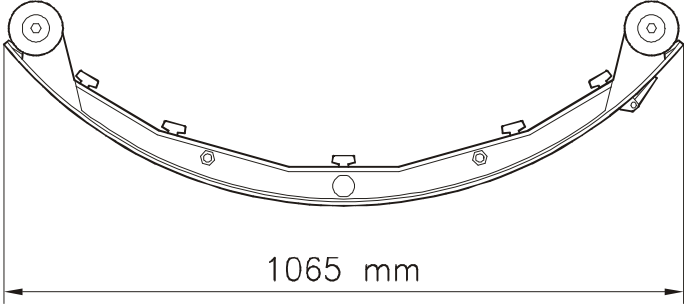
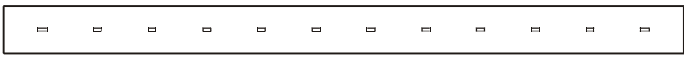
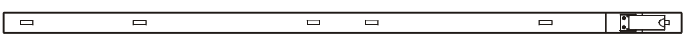
**sapphire 85s/85 (series heavy narrow old only spare parts)**

	CODE	MATERIAL	DIMENSIONS (mm)
	48306060 48306080	Inox Fe (iron)	
	48403060	PU	1120 x 45
 1070 mm Squeegee length with rubber	V8206060	Fe (iron)	Assy - 1050
	48406050	Para 40 sh	1198 x 75 x 6
	V8306060	Inox	

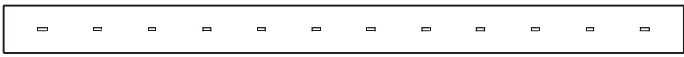
**Optional**

	CODE	MATERIAL	DIMENSIONS (mm)
	48406060	Para 33 sh	1198 x 75 x 6
	48406070	Linatex	1198 x 75 x 6
	48406080	Oil-resistant	1198 x 75 x 5
	48406090	PU	1198 x 75 x 6



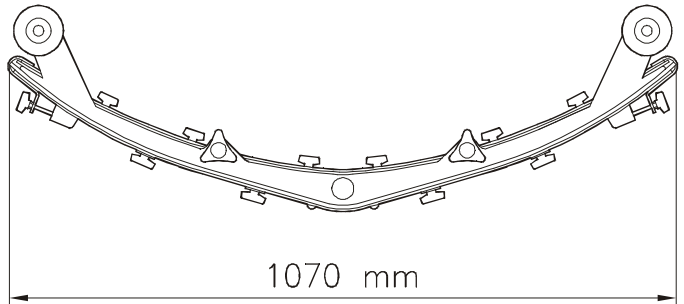


sapphire 85s (series heavy only spare parts)  
sapphire 85 (optional heavy only spare parts)

	CODE	MATERIAL	DIMENSIONS (mm)
	48306070	Fe (iron)	
	48403060	PU	1120 x 45
 1065 mm *no assembly available, only single part numbers			
	48406050	Para 40 sh	1198 x 75 x 6
	V8306060	Inox	


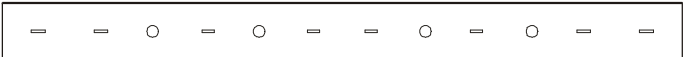
Optional

	CODE	MATERIAL	DIMENSIONS (mm)
	48406060	Para 33 sh	1198 x 75 x 6
	48406070	Linatex	1198 x 75 x 6
	48406080	Oil-resistant	1198 x 75 x 5
	48406090	PU	1198 x 75 x 6

**sapphire 85/70s "V" (optional)**

	CODE	MATERIAL	DIMENSIONS (mm)
	48306150	Fe (iron)	
	48406160	PU	1120 x 50
 <p style="text-align: center;">1070 mm</p> <p style="text-align: center;">Squeegee length with rubber</p>	V8206130	Fe (iron)	Assy - 1070
	48406150	Para 40 sh	1177 x 95 x 6
	48306140	Fe (iron)	

**Optional**

	CODE	MATERIAL	DIMENSIONS (mm)
 <p style="text-align: center;">FRONT</p>	48406180	PU	1120 x 50
 <p style="text-align: center;">REAR</p>	---	Para 33 sh	1177 x 95 x 6
	48406170	Linatex	1177 x 95 x 6
	---	PU	1177 x 95 x 6

Optional starting serial number: 11002206