

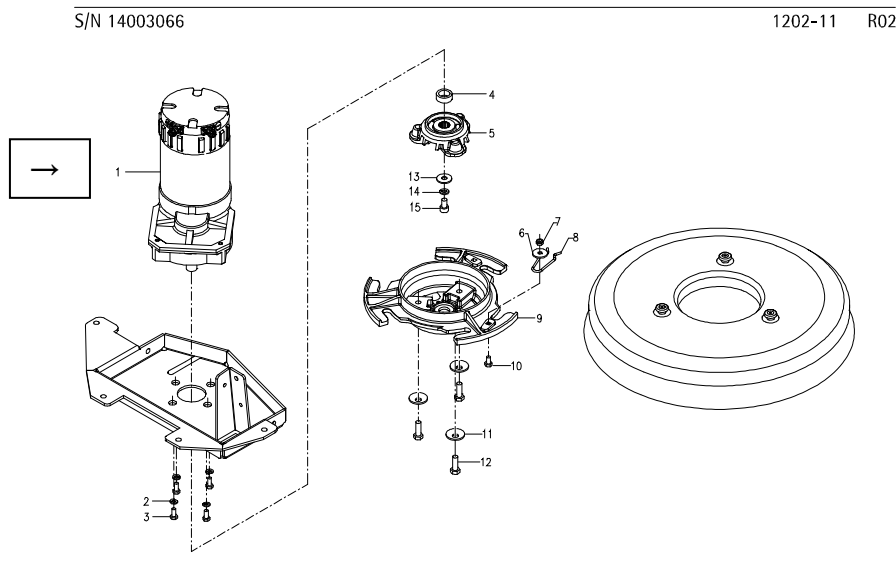


Technical modification on ruby 43-48

→ Starting from serial number: 14003066 dated 25/07/14 for **ruby 43** and serial number 14003067 dated 25/07/14 for **ruby 48** – table 1202-11 R02 enclosed

The present motor (part No. 46200350) has been replaced with a stronger one of 450W at 150 rpm. The new geared motor is perfectly interchangeable with the previous one.

The new part number of the geared motor is: **46200430 geared motor 24V - 450W - 150rpm**



Thanking you for your kind attention, we remain

with best regards

ADIATEK SRL

Technical dept.

Amore