



Different technical modifications and updates on ruby bt



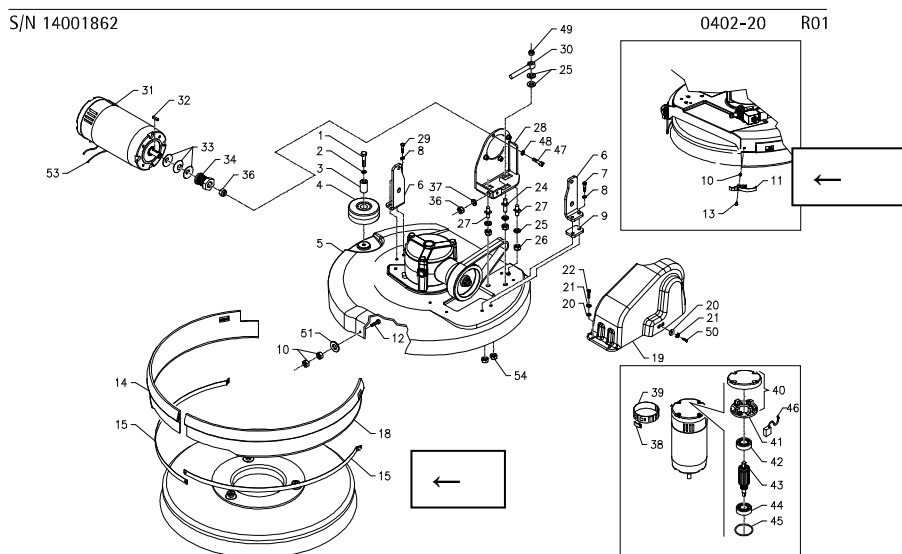
Here below you will find the most important modifications carried out on above-mentioned models, ruby with traction. We ask you to carefully read all the information, necessary for your future orders. Should you be interested to receive some updated tables which you do not have in your files, with the enclosed index you may verify what is missing and ask for the copies.

Ref. table 0401-10 R00 pos. 20, castor wheel

The part number of just the wheel is: 46511050 wheel Ø 80x33 (pos. 47)

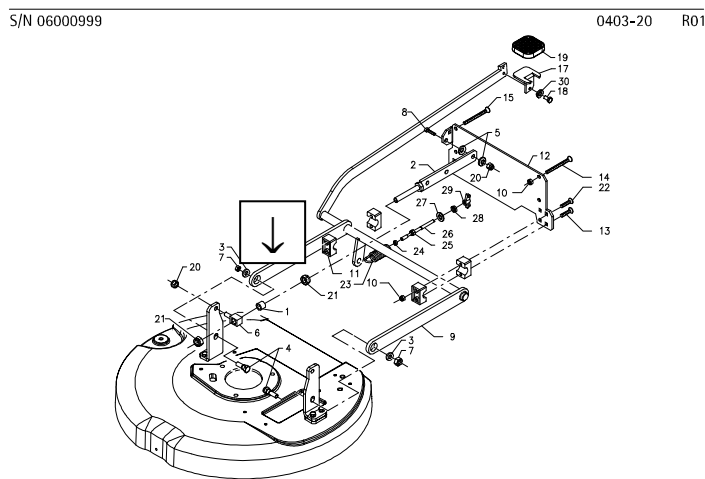
→ Starting from serial number: 14001862 dated 08/05/14, table 0402-20 R01 – ruby 50t

The fixing springs of the splash guard blades have been replaced by lever couplers. For its fixing the same hole of the spring is used, therefore the brushes base remains unchanged.



Ref. table 0402-21 R02 – the following positions have a different part number:
 pos. 37 – instead of 46850030, the part number is: 46850060
 pos. 38 – instead of V6602001, the part number is: V6603001

Ref. table 0403-20 R01 = we have inverted in the drawing the positions 1 and 21.



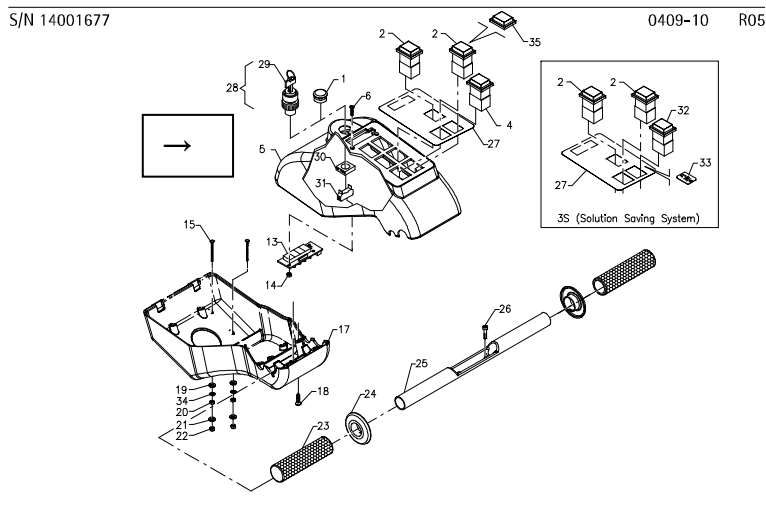
→ Starting from serial number: 14001677 dated 17/04/14 for ruby 45t, 50t
 14001582 dated 16/04/14 for ruby 55t

ref. table 0409-10 R05, pos. 5

With reference to our Newsletter – 77 for the handle bar cover, we have reintroduced once more the previous handle bar cover with 6 openings. This to permit the use of the same cover also on models equipped with some optional.

Take off: 49205030 handle bar cover 4 openings
 49205040 handle bar cover black 4 openings

Add: 49201020 handle bar cover
 49201050 handle bar cover black



In the drawing we have inverted two positions as per below indications. The descriptions remain unchanged.

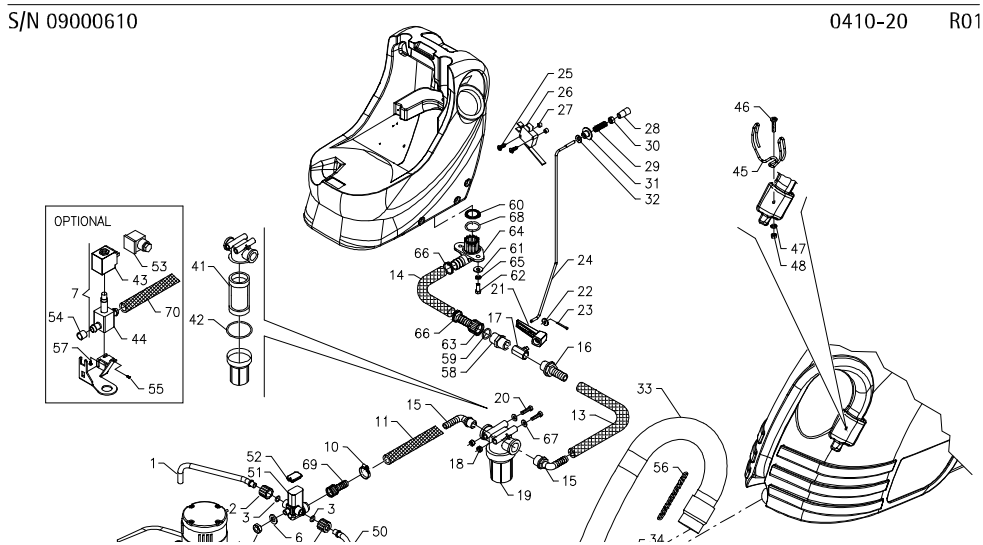
Ref. table 0410-20 R01 pos. 60 and 68

Ref. table 0410-30 R01 pos. 57. We have added pos. 67 for the gasket and corrected the part number of pos. 56 in: 62370002.

Ref. table 0410-50 R00 pos. 61 and 62. The fitting of pos. 27 has part number 62340230.

Ref. table 0410-60 R02 pos. 22 and 57. The fitting of pos. 45 has part number 62340230.

Ref. table 0410-70 R00 pos. 61 and 62. The fitting of pos. 27 has part number 62340230.

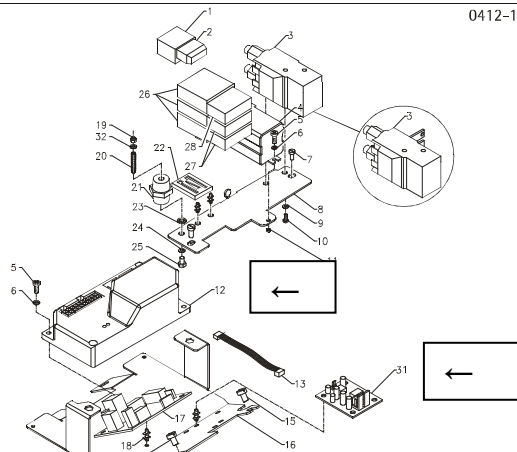


→ Starting from serial number: 14000922 dated 12/02/14, table 0412-10 R02, pos. 31 for ruby 50t
 With reference to the amperometric motor check card 49704001 (optional) for ruby 50t, we have modified the setting value from 26A to 35A. We enclose the updated technical manual, T011203 R01.

→ Starting from serial number: 13003900 dated 22/10/13, pos. 12
 The software control of the chopper card 49701180 has been implemented to version SW3 improving its performance and its reliability. The new card is interchangeable with the previous one.

S/N 12002512 0412-10 R02

+ table 0412-30 R02

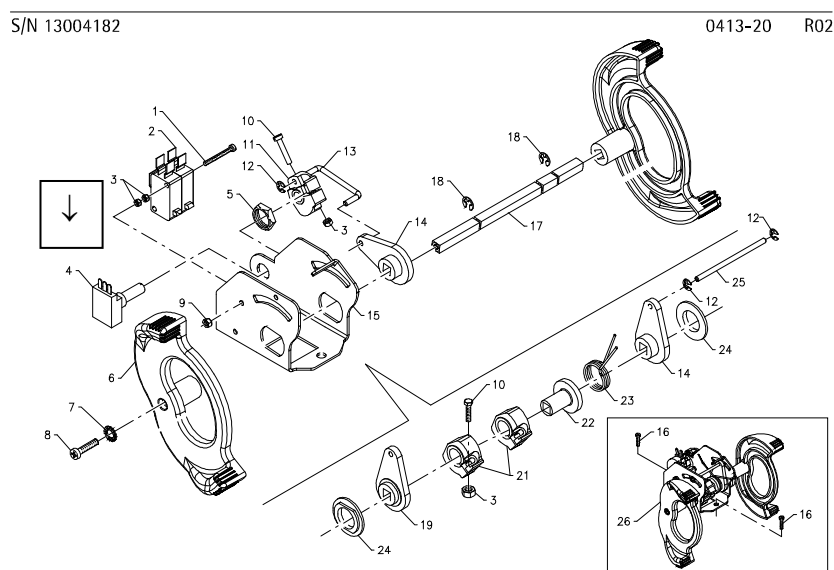


→ Starting from serial number: 13004182 dated 28/10/13, table 0413-20 R02, pos. 4

We replace the potentiometer 63415001 with a new one having part number 63415006.

Alternatively to the present potentiometer we have found a similar one which is supplied complete with the welded wires and a minifit connector, as used on amber models. The layout of the cable diagram has also been updated because the 3 wires with part number 49801530 are modified with the inclusion of the 4-pole minifit connector. In case of spare parts requests for already produced machines, we can supply the new potentiometer with the cables 49801530 complete with the connectors.

The electric diagrams are available: Cre0412-10 R03, Cre0412-10 R03 and Cre 0412-30 R03



At your disposal for additional explanations, we remain

with best regards

ADIATEK SRL

Technical dept.