



## Different technical modifications and updatings on ruby 43-48

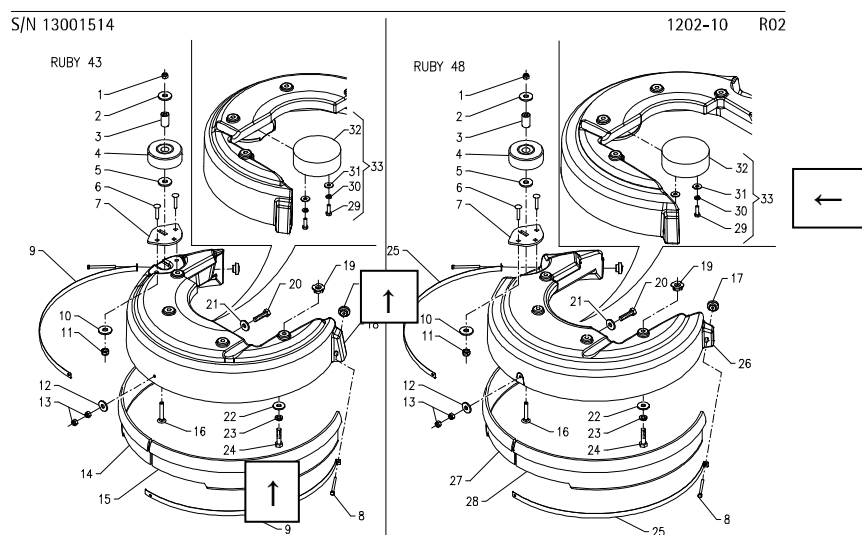
- Starting from serial number: 13000769 dated 21/02/13 (**ruby 43**, table 1202-10 R01)  
13001058 dated 20/03/13 (**ruby 48**, table 1202-10 R01)

A counterweight (pos. 33 as assembly) has been added inside the cover to balance the machine in particular working conditions. The cover of ruby 43 (pos. 18) is not subject of changes, while the ruby 48 cover (pos. 26) has undergone some modifications in order to permit the weight insertion, therefore the part number changes, however both are interchangeable with the two previous covers.

- Starting from serial number: 13001514 dated 18/04/13 (**ruby 43**, pos. 24)

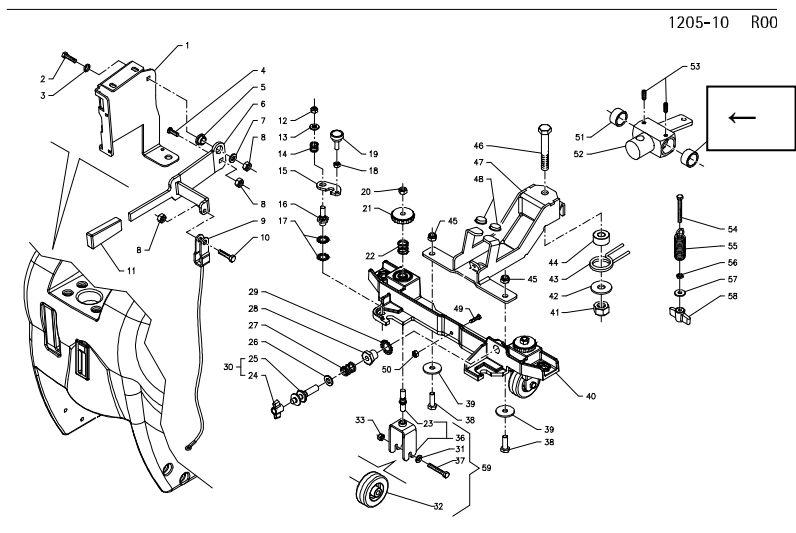
The screw M6x45 (60110625) has been replaced with a shorter one, M6x40 (60110629). In the ruby 48 the modification is present since the beginning of the production.

We have furthermore corrected pos. 25 in the drawing (before we indicated pos. 9).



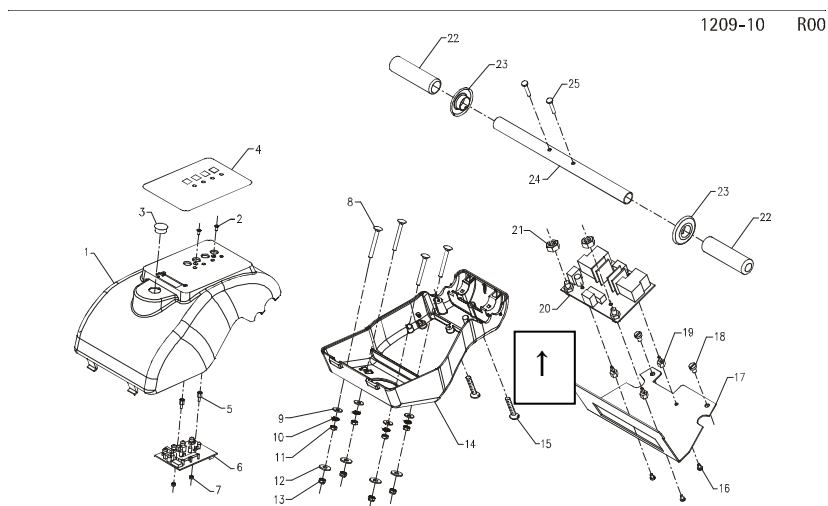
→ Starting from serial number: 13001004 dated 13/03/13 – table 1205-10 R00

We have verified that in some cases the articulated joint with the square end did not permit a perfect oscillation of the arm. We have modified the joint (pos. 52) and the lower profile of the squeegee arm (pos. 47) to improve its oscillation in any working position. The new parts are interchangeable with the previous ones.



→ Starting from serial number: 13004496 dated 21/11/13 (**ruby 43** – table 1209-10 R00)  
13004518 dated 20/11/13 (**ruby 48** – table 1209-10 R00)

The check card relay 49705040 with brush motor relay of 40A has the condenser of 470nF on the 40A-relay. Because of some breakdowns we have replaced the 470nF condenser with a 1500nF one. The check cards are interchangeable with the previous ones.

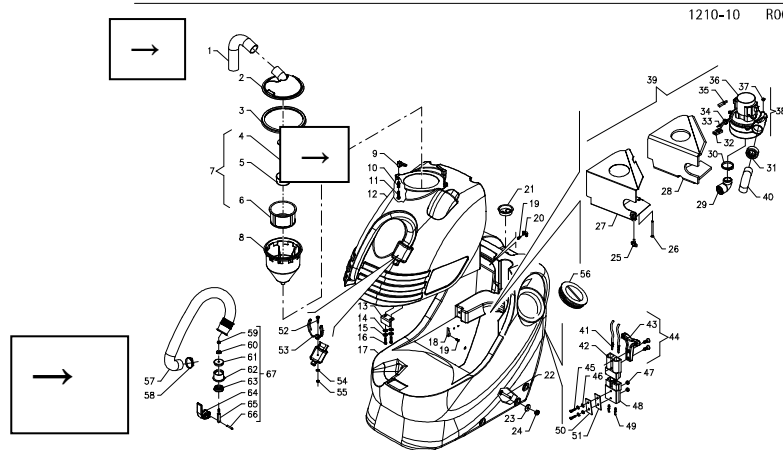


Some corrections and updates on table 1210-10 R00:

pos. 1 the correct length of the hose 47610130 is: 720mm

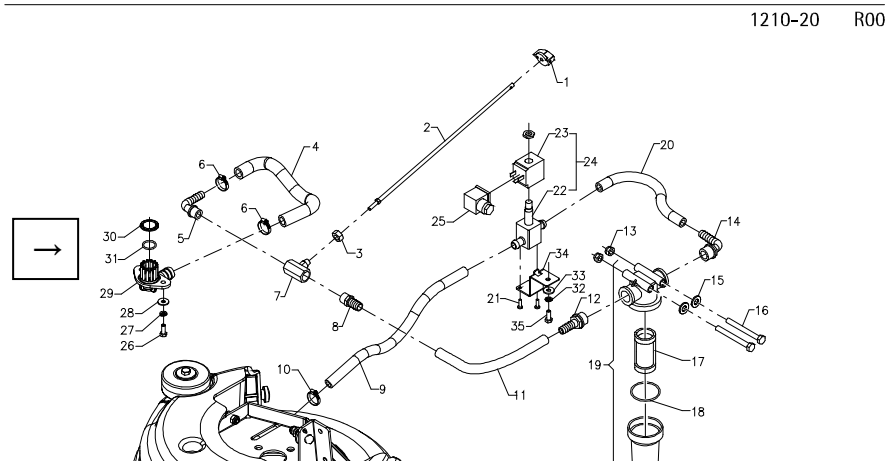
pos. 10 the quantity of the springs 47210080 is two

We have furthermore added the group of the exhaust hose and its plug.



Correction on table 1210-20 R00:

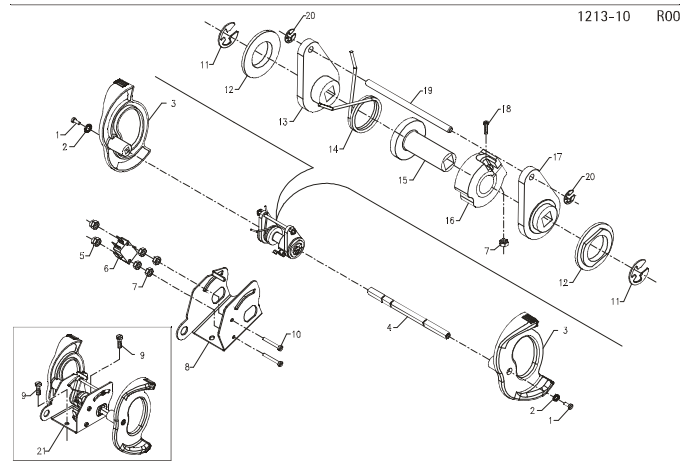
Positions 30 and 31 in the drawing have been corrected, inverting them.



Some corrections and updates on table 1213-10 R00:

pos. 5 the correct part number of the nut is: 60220301

pos. 22 of the drive control assembly has been replaced with pos. 21 as shown in the drawing.



Separately you will receive a circular letter about the technical manuals and the electric wiring diagram suitable for these models.

On request the updated tables.

At your disposal for additional explanations, we remain

with best regards

**ADIATEK SRL**

Technical dept.

*Amore*