



Updating on ruby light

→ Starting from serial number: 13000940 dated 26/02/13

During some tests carried out we have verified that the label of the instrument board could get damaged near the two upper switch housings risking to enter in contact with electric parts. To avoid this problem we have realized a new cover (pos. 39) having four holes instead of six ones. For spare parts the new cover can be sent in place of the previous one.

Take off: 49201020 handle bar cover

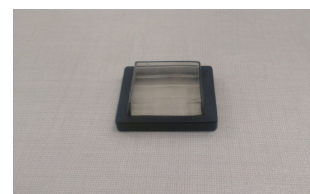
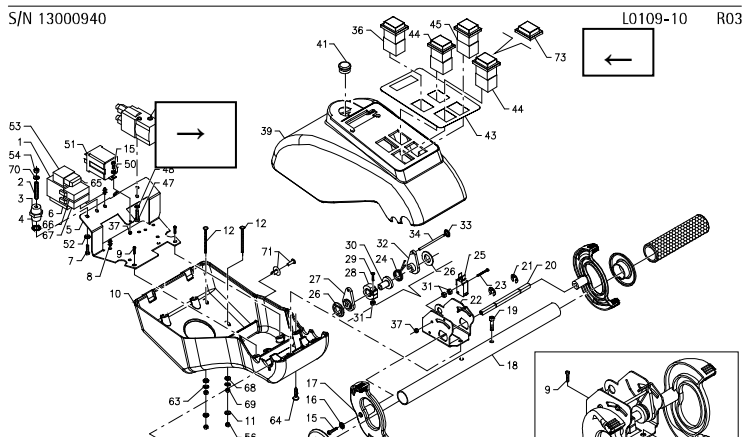
49201050 handle bar cover black

Add: 49205030 handle bar cover 4 holes

49205040 handle bar cover 4 holes black

We have also added a new position for the protection cap of the switch (pos. 73).

The part number is: 63499006 protection cap switches



Thanking you for your kind attention, we remain

with best regards

ADIATEK SRL

Technical dept.

Amore