



## Different technical modifications and updates on ruby b



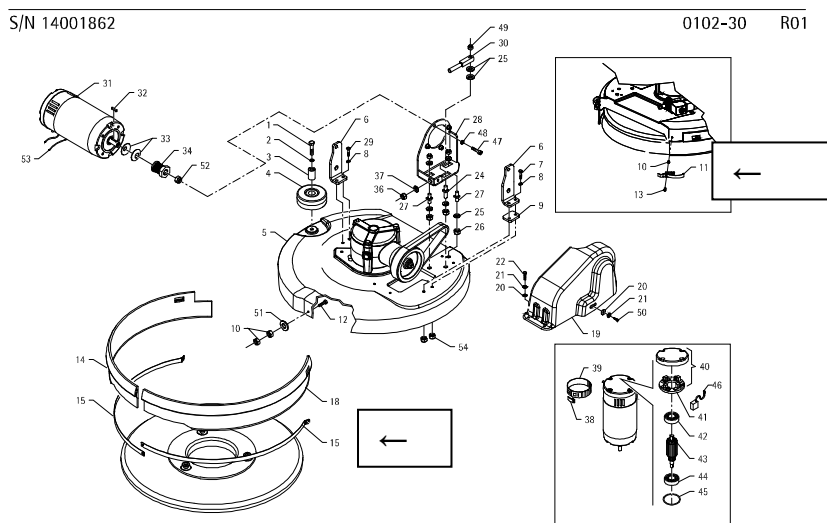
Here below you will find the most important modifications carried out on above-mentioned machines. We ask you to carefully read all the information, necessary for your future orders. Different corrections have been carried out on different tables and should you be interested to receive all the updates, please let us know. We add furthermore the actual index.

Ref. table 0101-10 R01 pos. 20, castor wheel

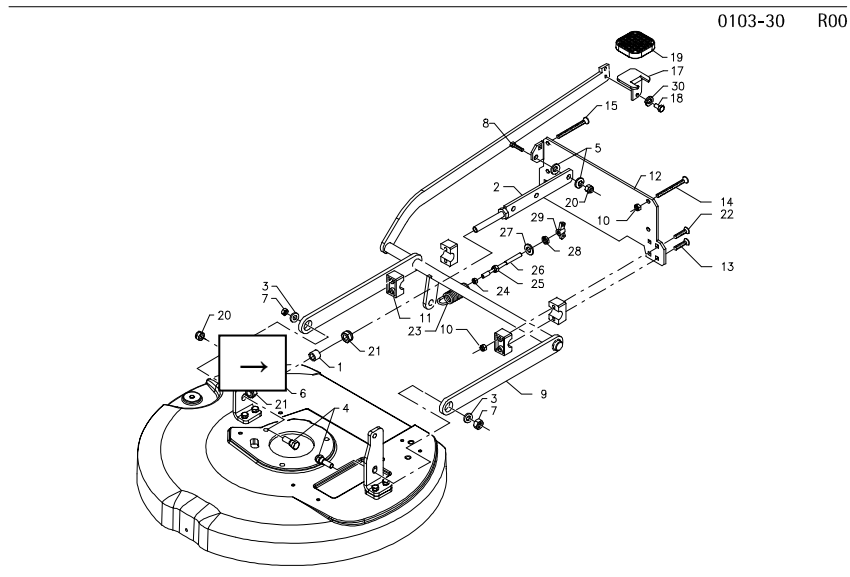
The part number of just the wheel is: 46511050 wheel Ø 80x33 (pos. 43)

→ Starting from serial number: 14001862 dated 08/05/14, table 0102-30 R01 – ruby 50

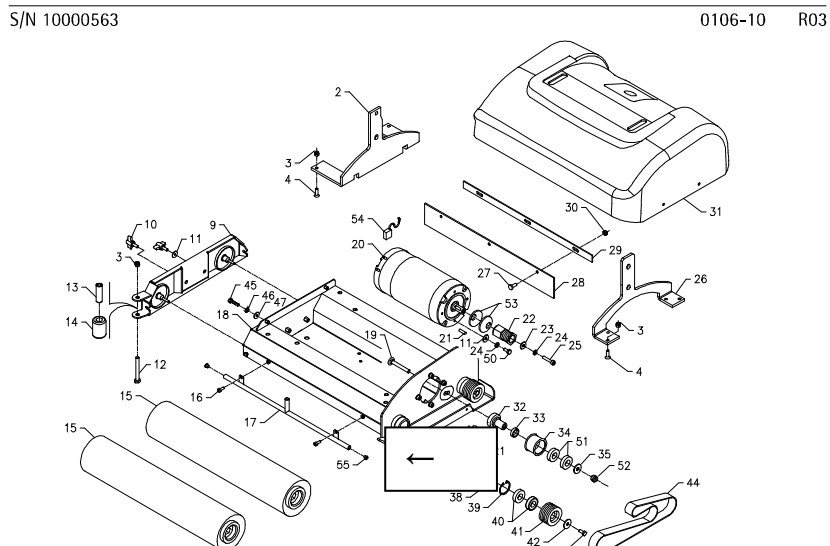
The fixing springs of the splash guard blades have been replaced by lever couplers. For its fixing the same hole of the spring is used, therefore the brushes base remains unchanged.



Ref. table 0103-30 R00 = we have inverted in the drawing the positions 1 and 21.



Ref. table 0106-10 R03, pos. 55  
We have added the protection cap.





→ Starting from serial number: 14000922 dated 12/02/14, table 0109-10 R05, pos. 70 for ruby 50

With reference to the amperometric motor check card 49704001 (optional) for ruby 50, we have modified the setting value from 26A to 35A. We enclose the updated technical manual, T011203 R01.

3

In the drawing we have inverted two positions as per below indications. The descriptions remain unchanged.

Ref. table 0110-20 R01 pos. 60 and 68

Ref. table 0110-30 R01 pos. 54 and 59. We have corrected part number of pos. 53, so: 62370002.

Ref. table 0110-40 R02 pos. 57. We have added pos. 65 for the gasket and corrected the part number of pos. 56, so: 62370002.

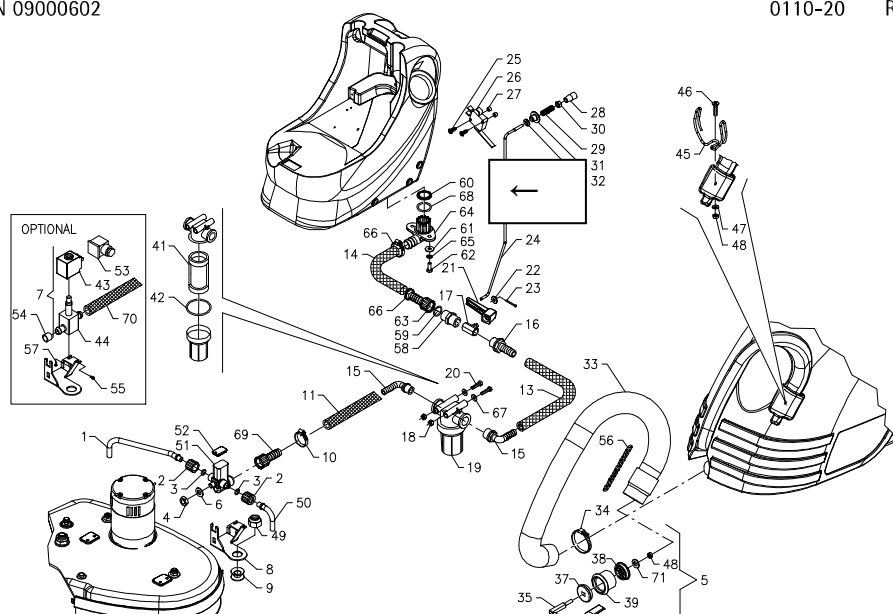
Ref. table 0110-50 R00 pos. 61 and 62. The fitting of pos. 27 has part number 62340230.

Ref. table 0110-60 R01 pos. 22 and 57. The fitting of pos. 45 has part number 62340230.

Ref. table 0110-70 R00 pos. 61 and 62. The fitting of pos. 27 has part number 62340230.

S/N 09000602

0110-20 R01



At your disposal for additional explanations, we remain

with best regards

**ADIATEK SRL**

Technical dept.

*Amore*