

Specifications of the material

PU (polyurethane): it is a transparent oil resistant material and dries well also tiled floors and floors with medium-sized joints.

Antiolio (Oil-resistant): white colour with hardness which goes between 40sh and 50sh. Suitable to dry oily floors, but not with an elevated drying result and rolled concrete floor (not tiled floors).

Vulkollan: particular type of polyurethane; it is used mainly for the front rubber (striped). It does not have particular drying characteristics.

Para 33 shore: dark red colour; it is a very pure natural rubber and it has excellent drying characteristics, especially on tiled floors. Because of its softness, this rubber is not recommended on very rough floors.

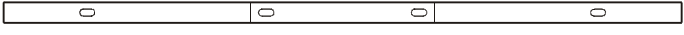
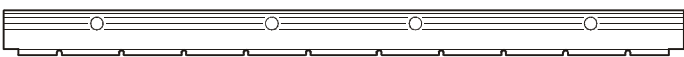
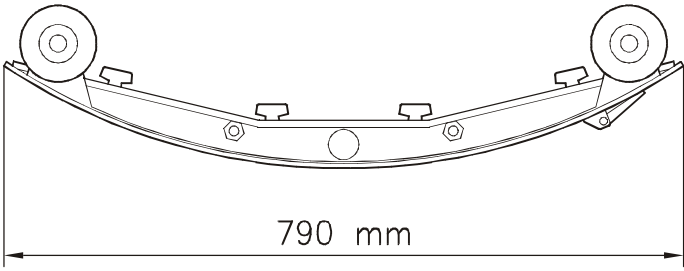
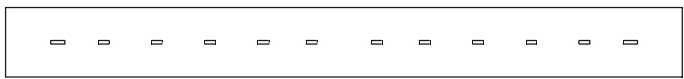

Para 40 shore: brown colour; it has good drying characteristics on all types of floors and it is also resistant.

Para 50 shore: light brown colour; suitable for industrial floors with an excellent resistance.


Linatex: it is the commercial name of a particular type of rubber in para (natural rubber). Its colour is light red and it is suitable especially on floors with large and deep joints (such as supermarket floors).

PS: all squeegee rubbers are provided with the part number stamped, this to avoid ordering mistakes.

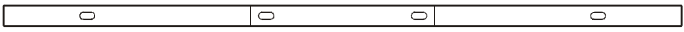

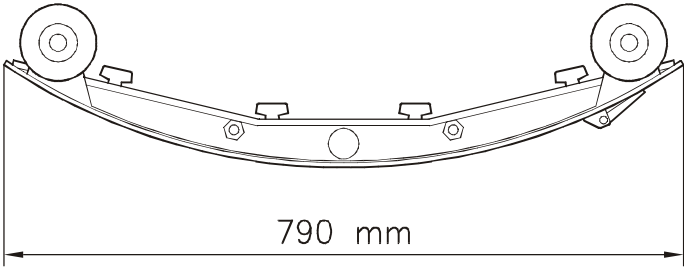
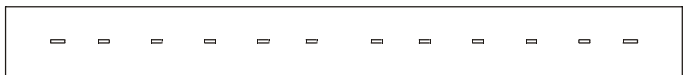
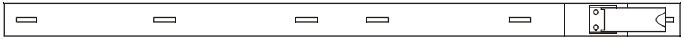
ruby b (only spare parts)

	CODE	MATERIAL	DIMENSIONS (mm)
	48301020 48301030	Inox Fe (iron)	
	48401020	PU	802 x 45
 790 mm Squeegee length with rubber	V8201010 V8201020	Inox Fe (iron)	Assy - 790 Assy - 790
	48401010	Para 40 sh	829 x 75 x 5
	V8301010	Inox	


Optional

	CODE	MATERIAL	DIMENSIONS (mm)
	48401030	Para 33 sh	829 x 75 x 5
	48401040	Oil-resistant	829 x 75 x 4
	48401050	Para 50 sh	829 x 75 x 5
	48401100	Linatex	829 x 75 x 5
	48401120	PU	829 x 75 x 5

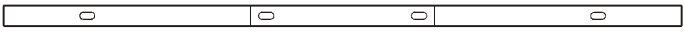

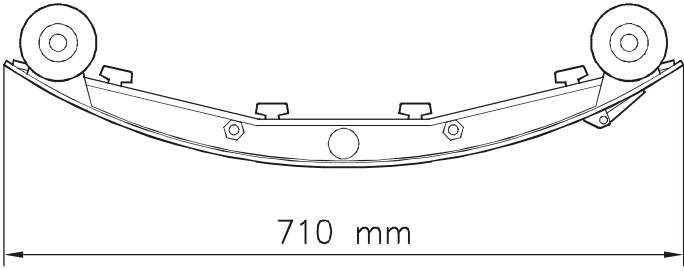
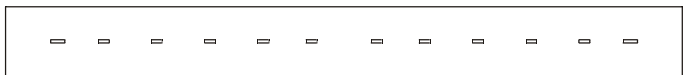
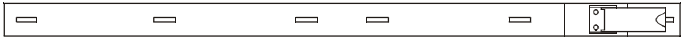
ruby 45e/50e/55e (only spare parts)

	CODE	MATERIAL	DIMENSIONS (mm)
	48301020 48301030	Inox Fe (iron)	
	48401020	PU	802 x 45
 790 mm Squeegee length with rubber	V8205010 V8205020	Inox Fe (iron)	Assy - 790 Assy - 790
	48401030	Para 33 sh	829 x 75 x 5
	V8301010	Inox	


Optional

	CODE	MATERIAL	DIMENSIONS (mm)
	48401010	Para 40 sh	829 x 75 x 5
	48401040	Oil-resistant	829 x 75 x 4
	48401050	Para 50 sh	829 x 75 x 5
	48401100	Linatex	829 x 75 x 5
	48401120	PU	829 x 75 x 5


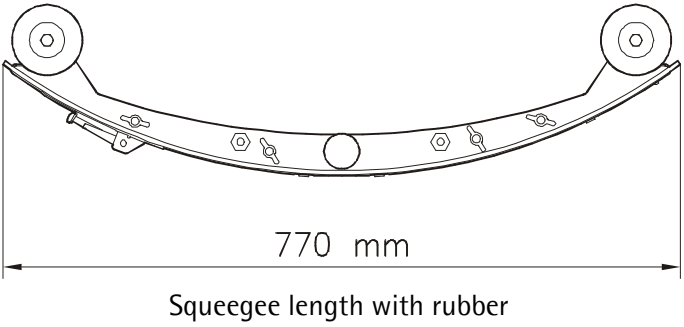
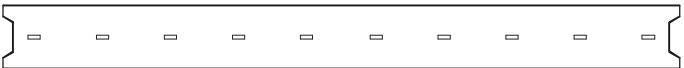
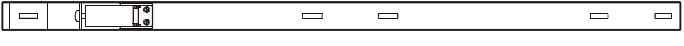
ruby (optional) short squeegee

	CODE	MATERIAL	DIMENSIONS (mm)
	48301060	Fe (iron)	
	48401070	PU	710 x 45
 <p style="text-align: center;">710 mm</p> <p style="text-align: center;">Squeegee length with rubber</p>	V8201030 V8201040	Inox Fe (iron)	Assy - 680 Assy - 680
	48401060	Para 40 sh	751 x 75 x 5
	V8301020	Inox	


Optional

	CODE	MATERIAL	DIMENSIONS (mm)
	48401080 48401090	Para 33 sh Oil-resistant	751 x 75 x 5 751 x 75 x 4

ruby b + ruby 50e II - Aluminium version (standard)

	CODE	MATERIAL	DIMENSIONS (mm)
	48405020	PU	762 x 41
	V8201050	G-Al Si 13	Assy - 770
	48405010	Para 40 sh	820 x 75 x 5
	V8301030	INOX	


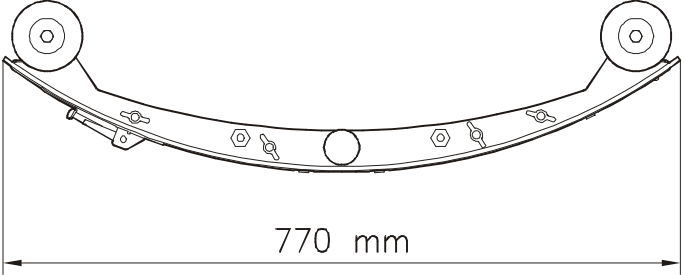

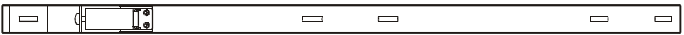
Optional

	CODE	MATERIAL	DIMENSIONS (mm)
	48405030 48405040	Para 33 sh PU	820 x 75 x 5 820 x 75 x 5

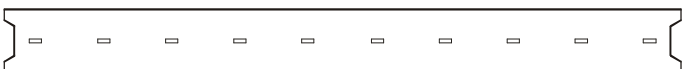
Starting serial number: 10003302 for ruby 50e II

Starting serial number: 10003332 for ruby b

ruby 45e - ruby 55e - Aluminium version (standard)

	CODE	MATERIAL	DIMENSIONS (mm)
	48405020	PU	762 x 41
 770 mm Squeegee length with rubber	V8205030	G-Al Si 13	Assy - 770
	48405030	Para 33 sh	820 x 75 x 5
	V8301030	INOX	

Optional

	CODE	MATERIAL	DIMENSIONS (mm)
	48405010 48405040	Para 40 sh PU	820 x 75 x 5 820 x 75 x 5

Starting serial number: 10003302