



Technical modifications and corrections carried out on our models ruby light

We have updated some tables of our scrubbers ruby light.

L0102-11 R00 taken off pos. 9, added pos. 45

L0102-21 R00 taken off pos. 9, added pos. 45

L0104-10 R00

The table of the squeegee assembly will have the indication of only the standard rubbers. Other rubber types will be present in our squeegee manual.

L0104-20 R00

→ Starting from serial number: 11005238 dated 20/12/2011 we have modified the outer profile of the rear squeegee rubber in order to improve the drying near the edges.

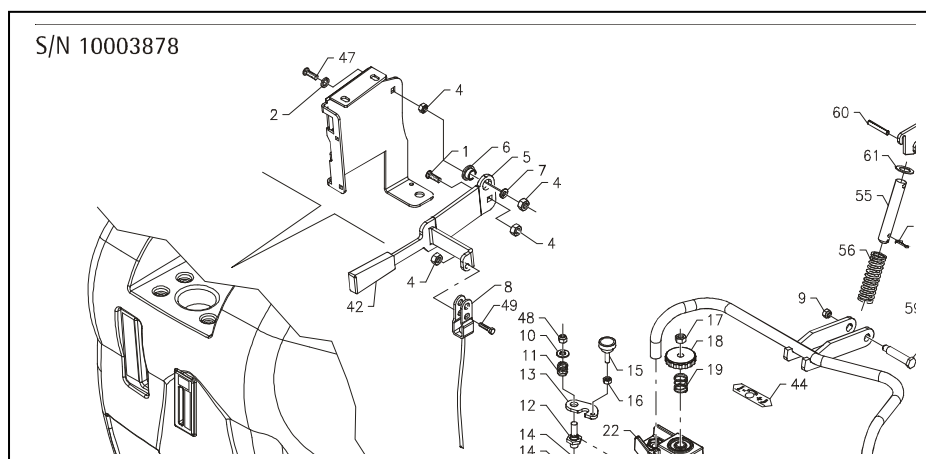


L0105-10 R02

→ Starting from serial number: 12002254 dated 25/06/12

The squeegee lever (pos. 5, 20105110) has been strengthened. The part number remains unchanged and it is interchangeable with the previous lever.

2

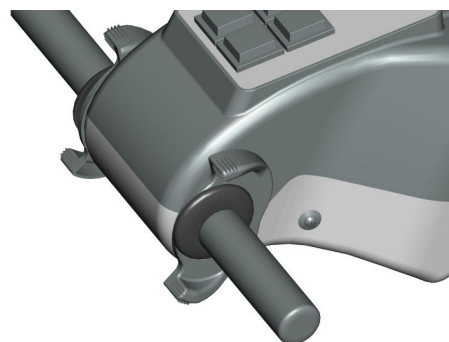
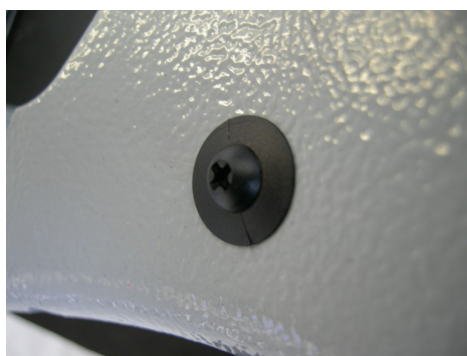


L0109-10 R02

→ Starting from serial number: 11004720 dated 03/11/11

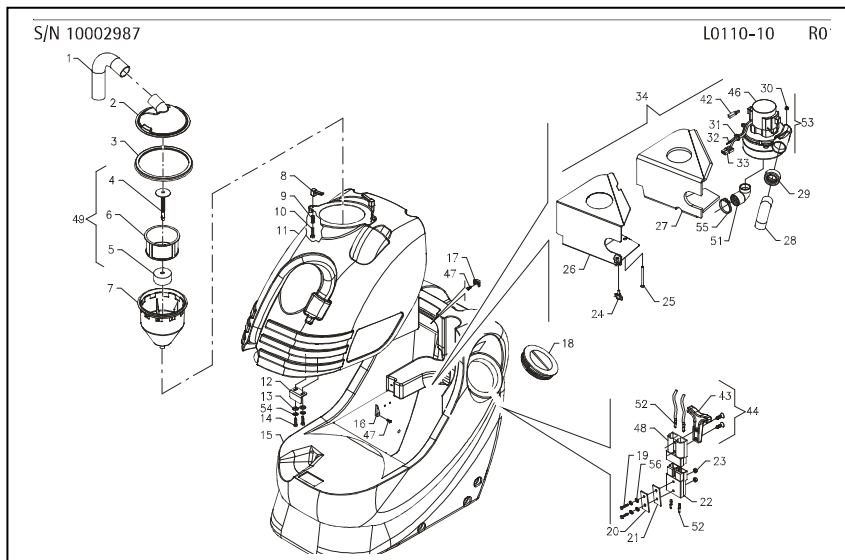
To adjust the position of the potentiometer on the traction machines, it was necessary to use a special tool. To simplify the adjusting interventions, we have carried out a hole in the handle bar body.

As the handle bar body is the same for all the ruby and jade models, on the ruby light there is a rivet for the closing of the hole.



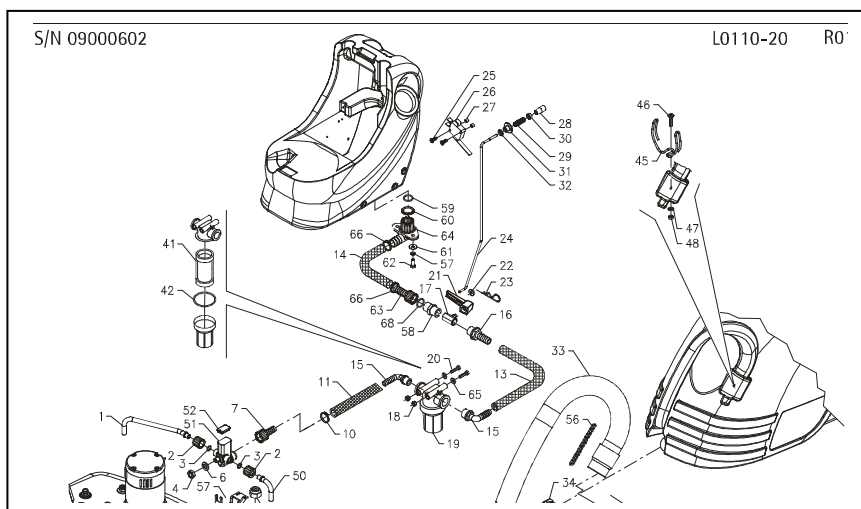
L0110-10 R01

We have corrected the position of the float (pos. 5).



L0110-20 R01

We have added pos. 68 joint.



On request the updated tables.

Thanking you for your kind attention, we remain

with best regards

ADIATEK SRL

Technical dept.

Amore