



Technical modifications and corrections carried out on our models ruby e

We have updated some tables of our scrubbing machines ruby e.

ruby 45e – ruby 55e – ruby 50e

E0502-11 R01 / E0502-21 R01 – pos. 15

→ Starting from serial number: 12001006 dated 29/03/12

We have replaced the aluminum plate with the plastic one, which is already assembled on other models.

Take off: 20102080

Add: 20102320

E0504-10 R00 / E0504-20 R00 / 0504-10 R00

The tables of the squeegee assembly will show only the standard squeegee rubbers. Other types of rubbers are listed in the squeegee manual.

E0504-20 R00 / 0504-10 R00

→ Starting from serial number: 11005250 dated 21/12/11

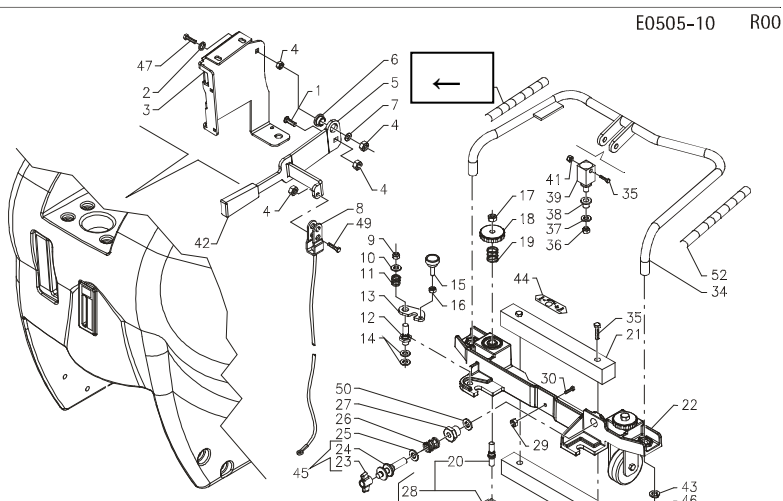
We have modified the outer profile of the rear squeegee rubber in order to improve the drying near the edges.



E0505-10 R00 / 0505-10 R01

- Starting from serial number: 12002242 dated 25/06/12 for ruby 45e
 12002254 dated 25/06/12 for ruby 55e
 12002254 dated 25/06/12 for ruby 50e

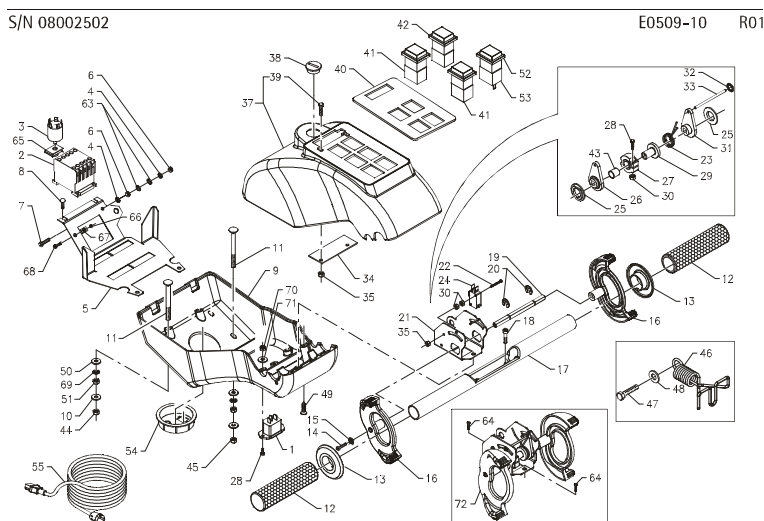
The squeegee lever (pos. 5, 45e/55e - pos. 6, 50e) with part number 20105110 has been strengthened. The part remains unchanged and is interchangeable with the previous lever.



E0509-10 R01 / 0509-10 R01

- Starting from serial number: 12003582 dated 16/10/12

We have added a square hole on the support base of the drive control (pos. 21). The part number remains unchanged. We have also added pos. 72 (45e-55e) and pos. 65 (50e), which is the drive control assembly with part number V0113001.



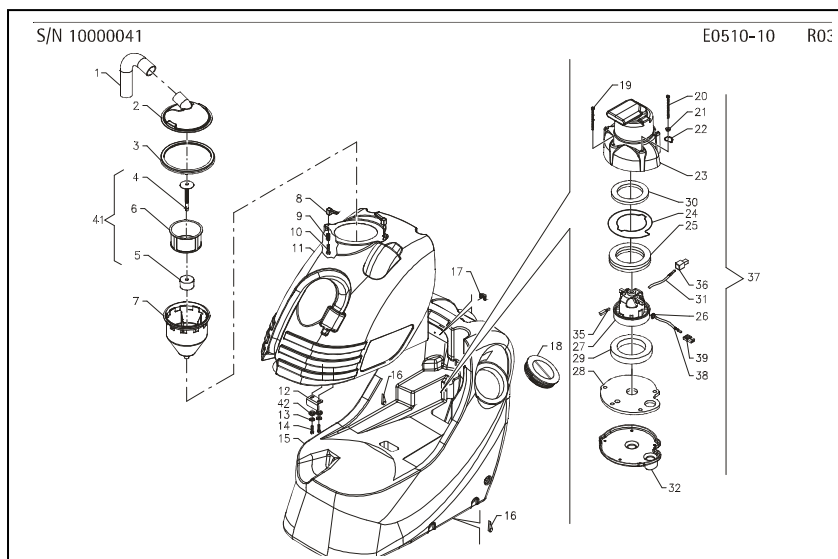
E0509-10 R01 / 0505-10 R01 (as per table in the previous page)

- Starting from serial number: 12000138 dated 18/01/12 for ruby 45e (pos. 65)
12000138 dated 18/01/12 for ruby 50e (pos. 56)
11005072 dated 05/12/11 for ruby 55e (pos. 65)

With reference to the assembly/disassembly of the antijamming filter, we have replaced the nut and the washer with a clip nut with part number 60250810.

E0510-10 R03 (45e-55e)

We have corrected the position of the float (pos. 5).



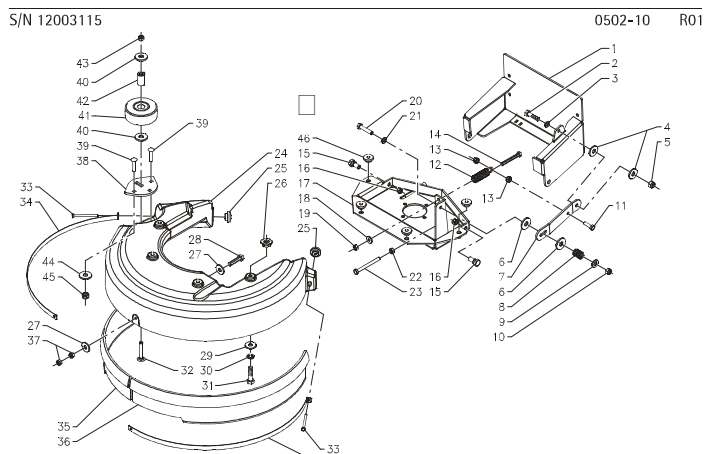
ruby 50e

0502-10 R01

→ Starting from serial number: 12003115 dated 13/09/12

We have modified the terminal board box and we have added the antivibrating bushes (pos. 46) between the cover and the base.

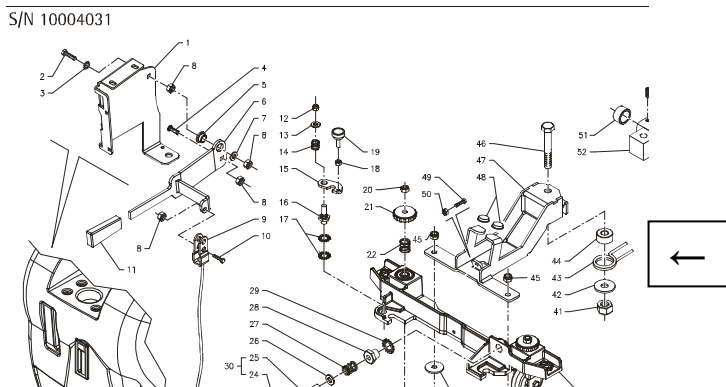
4



0505-10 R01 – pos. 43

→ Starting from serial number: 12001878 dated 31/05/12

The two ends of the spring squeegee control (47230090) have been brought to the same extremity level, in order to avoid that it tilts during lifting.

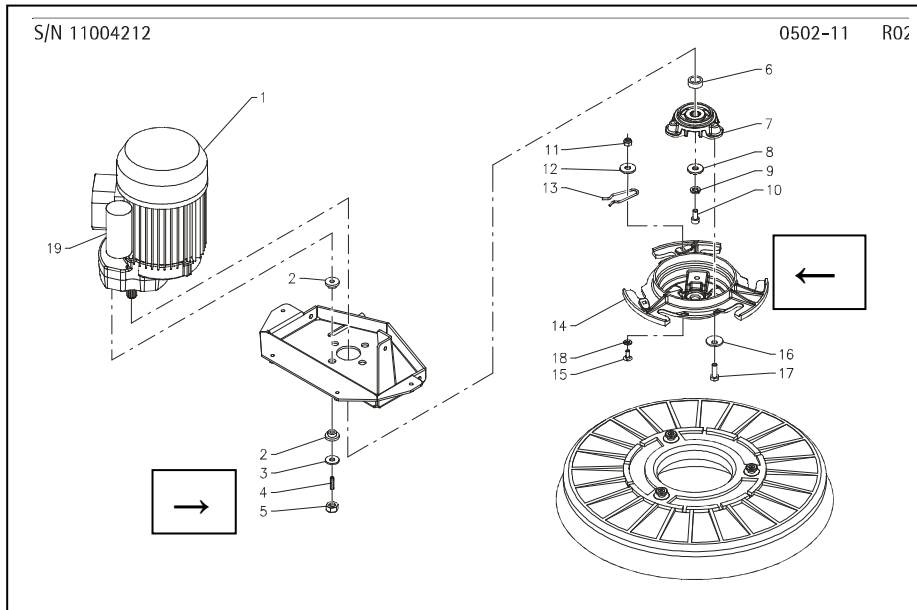


0502-11 R02

→ Starting from serial number: 11004212 dated 04/10/2011

During the assembly of the geared motor onto the brush base, the inox screws (60110610) have been replaced by 4 inox dowels (60160601, pos. 4) blocked on the gear box with a strong fixer. The assembling is completed with 4 lock nuts (60220602, pos. 5) tightened with a torque of 2Nm.

5



→ Starting from serial number: 11004380 dated 18/10/2011 (pos. 14)

The aluminium brushholder plate has been replaced with the plastic one assembled already on other models. The plate is interchangeable with the aluminium one.

Take off:

20302040 brushholder plate

Add:

20302250 brushholder plate plastic

On request the updated tables.

Thanking you for your kind attention, we remain

with best regards

ADIATEK SRL

Technical dept.

Amore