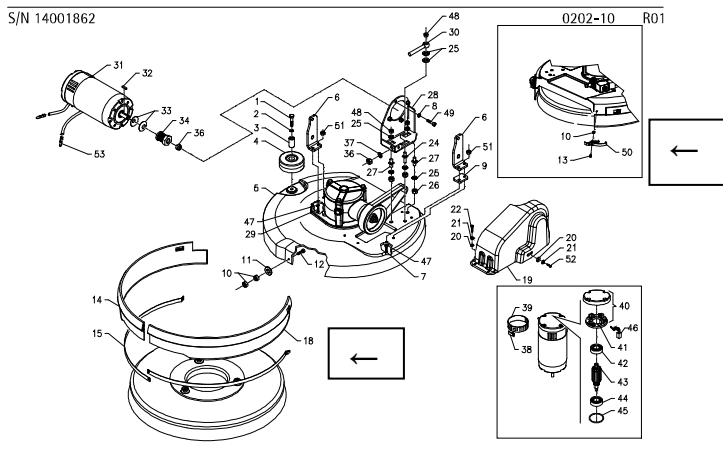


Technical modification on spare parts catalogue jade

→ Starting from serial number: 14001862 dated 08/05/14, table 0202-10 R01 – jade 50
 The fixing springs of the splash guard blades have been replaced by lever couplers. For its fixing the same hole of the spring is used, therefore the brush base remains unchanged. This modification is valid only for the jade 50 models.



Enclosed please find table 0202-10 R01

At your disposal for additional explanations, we remain

with best regards
ADIATEK SRL
 Technical dept.

Annunzio