



## Technical modifications and updating of the spare parts catalogue jade

We inform you that on request, the updated tables of the spare parts catalogue of the jade models are available. With the enclosed **index and summary** you may easily verify which tables are missing in your files so to ask only for those ones.



Here below you will find the most important changes made during the last year. We ask you to carefully read all the information, necessary for your future orders.

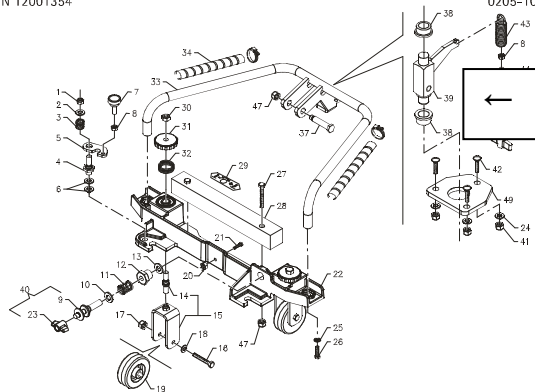
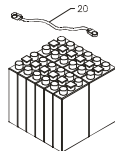
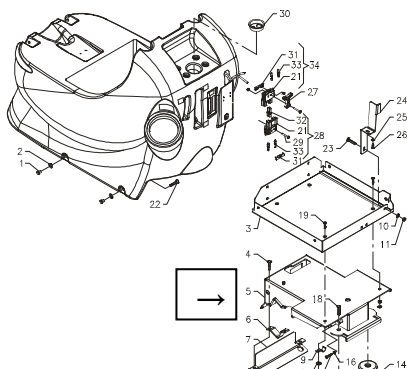
→ Starting from serial number: 12001831 dated 25/05/12, tables 0201-10 R01 and 0205-10 R03  
 The slide bushings of the squeegee arm shaft get worn out quickly and break.  
 We have replaced both the joint and the bushings so that the system is much stronger. This intervention requests also the replacement of the frame.

S/N 12001354

0201-10 R01

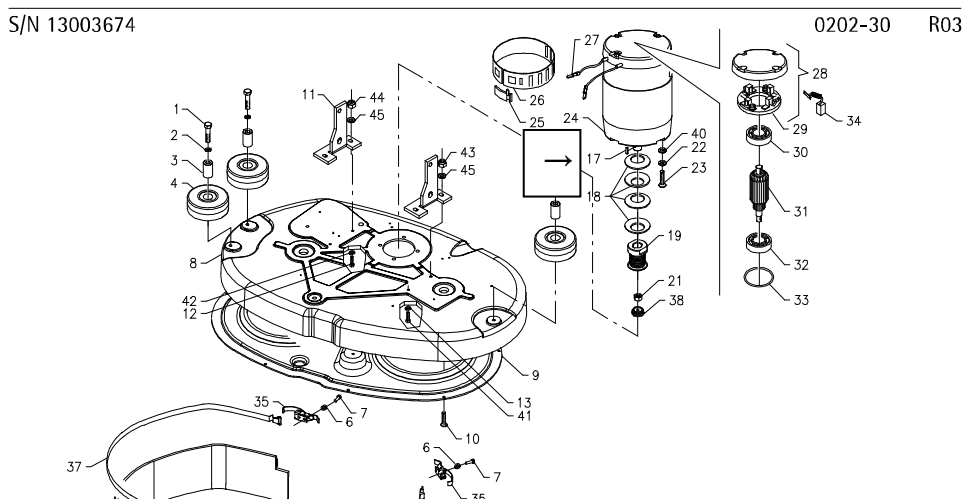
S/N 12001354

0205-10 R03

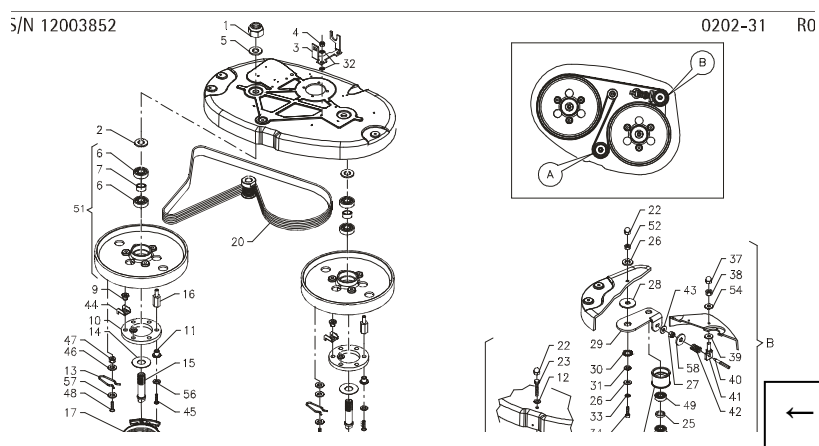


→ Tables 0202-11 R01 and 0202-31 R03 have been modified for a better comprehension.

→ Starting from serial number: 13003674 dated 18/10/13, table 0202-30 R03, pos. 17  
 The motor shaft has been lengthened of 4mm to permit a greater adjustment of the belt position.  
 Therefore, the key has been replaced.  
 take off: 60905041 key 5x4,5x20mm  
 add: 60905043 key 5x4,5x25mm

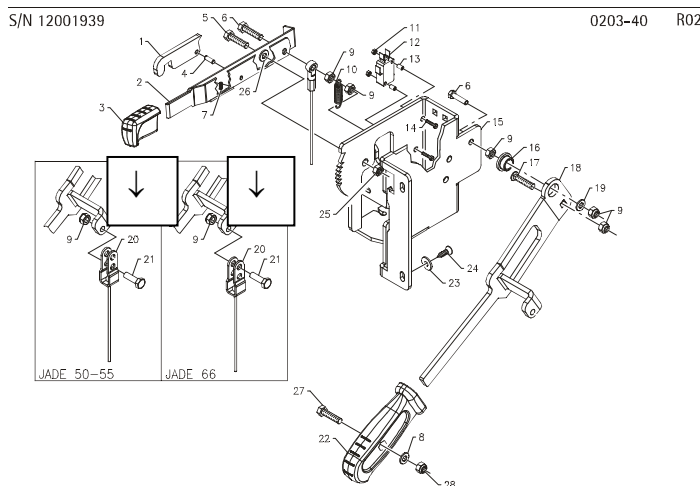


→ Starting from serial number: 12003852 dated 06/11/12, table 0202-31 R03, pos. 42  
 The tension spring 47210040 of the brushes base belt has been replaced with 47210250.  
 The brushes base of jade 66 uses a belt of 12 races instead of 10; a bigger load for the tension is necessary. Furthermore the motor pulley has another diameter and a different adjustment is necessary as indicated in the technical manual T020202 (which we enclose): the spring 47210250 has to be pressed to a length of 28,5mm. The new spring is interchangeable.



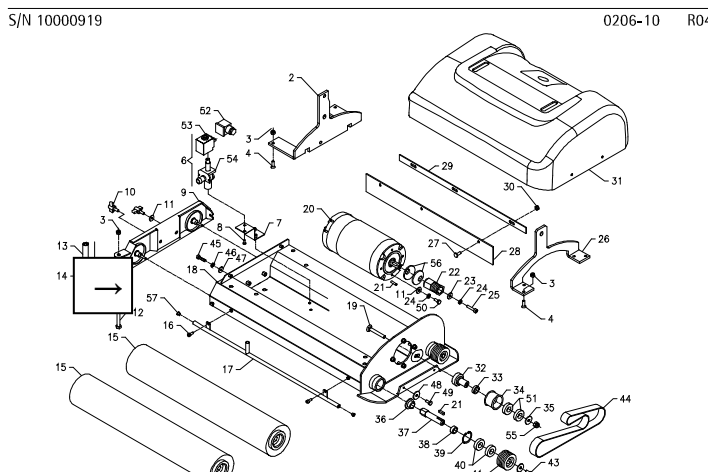
→ Tables 0203-10 R00 and 0203-30 R00: we have modified the drawing of the pedal position.

→ Starting from serial number: 12001939 dated 31/05/12, table 0203-40 R02, pos. 20  
 The squeegee cable has been standardized for all jade machines, assembling the same of jade 66.  
 take off: 20105150 cable Ø 2x605 – eye + fork  
 add: 20105520 cable Ø 2x625 – eye + fork

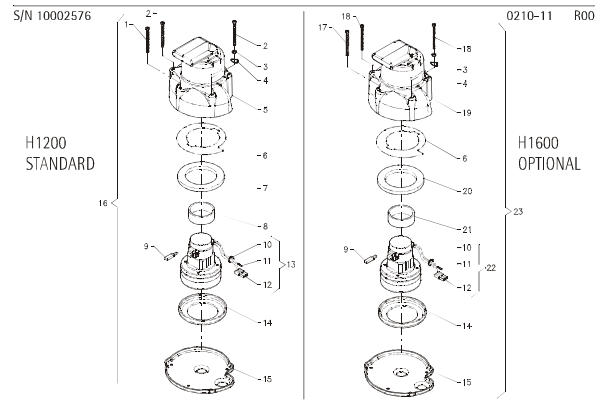
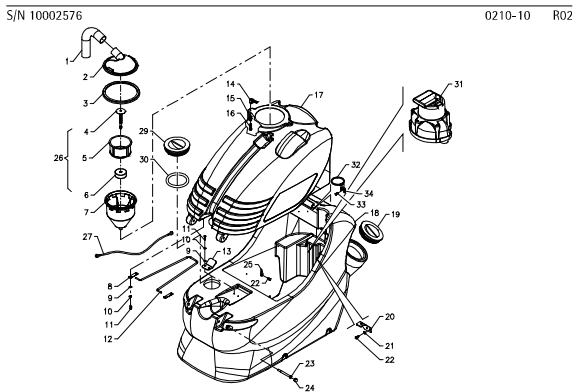


→ Table 0204-20 R00: we have added position 13 which was missing in the description (48402080) and corrected the part number of pos. 22 (60150303).

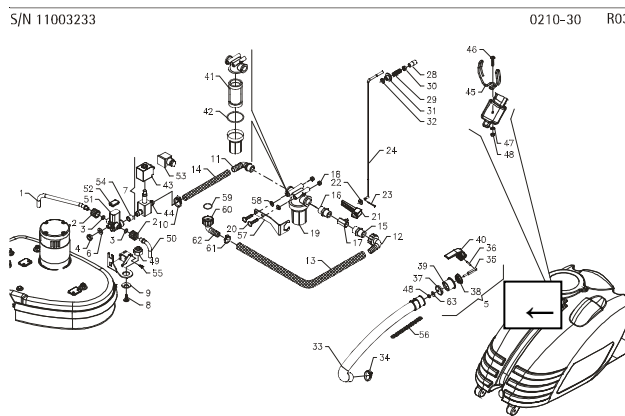
→ Table 0206-10 R04: we have added pos. 57, 62030004 cap



→ Tables 0210-10 R02 and 0210-11 R00: we have split the table of the tanks and the suction into two groups.

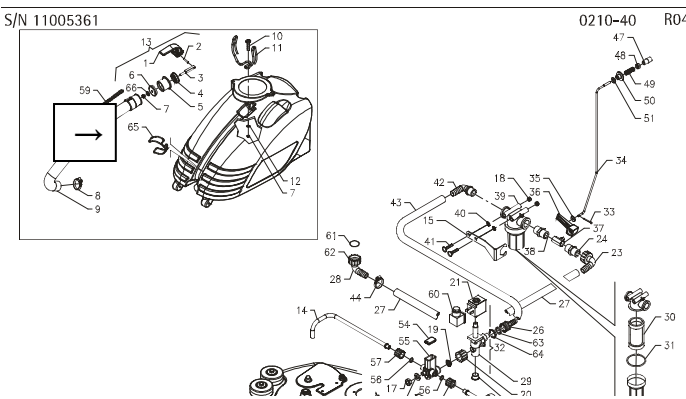


→ Table 0210-30 R03, pos. 5, exhaust plug assembly: we have modified the position in the drawing.



→ Starting from serial number: 11005361 dated 22/12/11, table 0210-40 R04, pos. 65  
 We have modified the spring in the lower part of the recovery tank on jade 66, to avoid that the hose gets damaged.

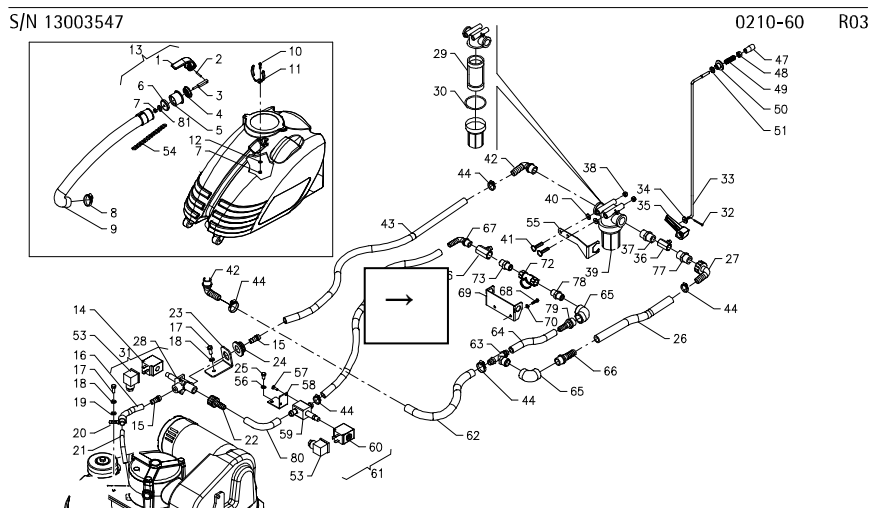
Take off : 47230040 coupler spring hose Ø 45  
 Add: 47230110 coupler spring exhaust hose jade 66



→ Starting from serial number: 13003547 dated 14/10/13

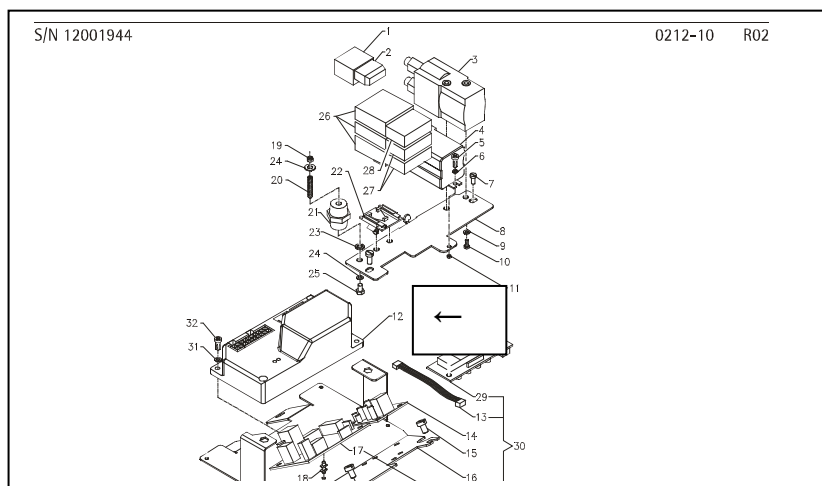
Tables 0210-60 R03, 0210-70 R02, 0210-80 R03

We have modified the fixing of the solution valve filter assembly of the 3S system, inverting it.



→ Starting from serial number: 1300390 dated 22/10/13, table 0212-10 R02, pos. 12

We have updated the chopper card 49701090 with a new software, improving the performance. The new software has revision 3.



→ Table 0213-20 R00 – mistake in the drawing

Position 2 in the low left part becomes position 16, because it is the same bushing.

→ Starting from serial number: 13001159 dated 02/04/13 for jade 55c and jade 55ct  
13000687 dated 21/02/13 for jade 66

We have added a new table 0212-40 R00 that refers to the new on-board charger suitable for above-mentioned machines. The new assemblies have the following part numbers:

V0200003 complete on-board charger with Schuko plug

V0200004 complete on-board charger with USA-plug

V0200005 complete on-board charger with AUSTRALIA-plug

This new battery charger replaces part number V0200001 (standard with Schuko plug), but which still can be requested both as an assembly and as single parts (table 0212-30 R00).

A battery may give a working time much as longer, as higher the energy will be that manages to be introduced during the recharging phase. This battery charger has been studied particularly to optimize the recharging phase, being able to choose both the recharging current and the type of the curve specific for different battery types.

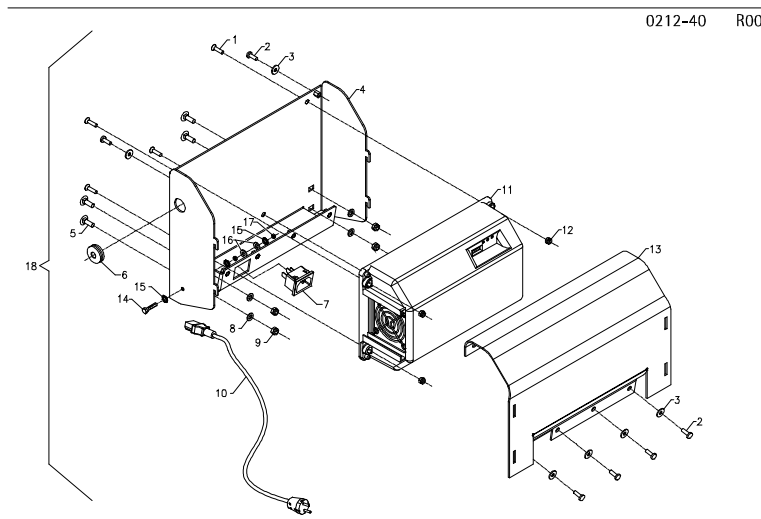
In below table you may note that, the cable (pos. 10) is not anymore included with the battery charger (pos. 11), therefore, when needed, it has to be ordered separately with the part number:

64610015 cable with Schuko plug

64610012 cable with USA plug

64610014 cable with AUSTRALIA plug

The instructions of how to carry out the correct setting of the battery charger are given in the enclosed technical manual **T011204**.



At your disposal for additional information, we remain

with best regards

**ADIATEK SRL**

Technical dept.