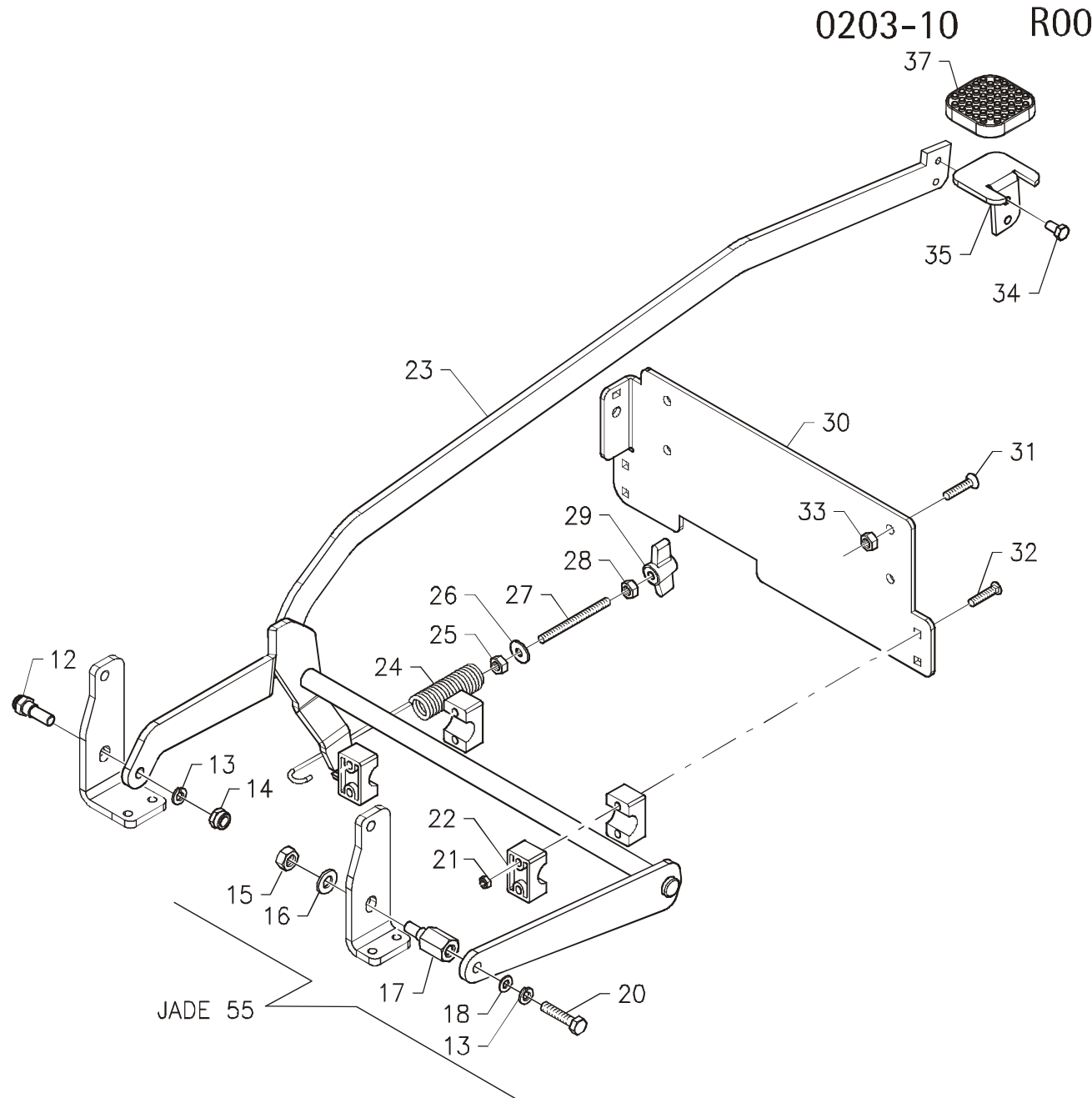
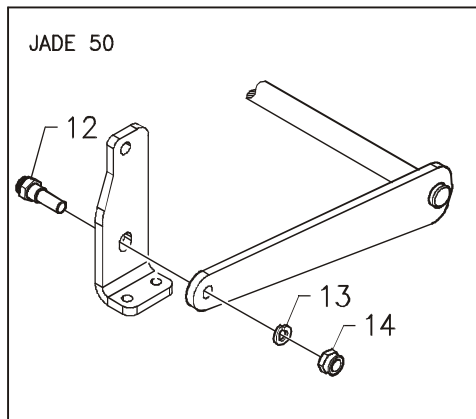
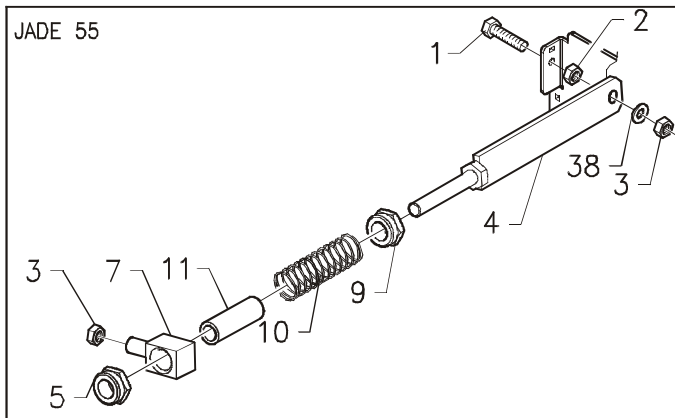
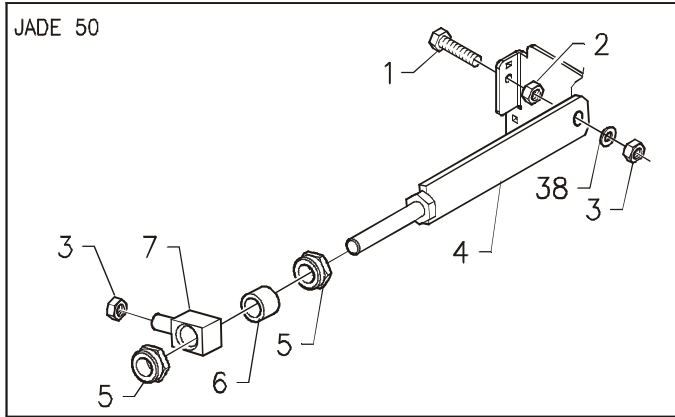


0203-10 R00



GRUPPO COMANDO BASAMENTO JADE 50-55

BRUSHES BASE CONTROL ASSEMBLY • GROUPE COMMANDE EMBASE DES BROSSES • GRUPPE BÜRSTENBETÄTIGUNG • GRUPO MANDO BANCADA DE LOS CEPILLOS

0203-10 R00

| Pos. | S/N | Codice | Q.tà | Denominazione | Description | Description | Benennung | Descripción |
|------|-----|----------|------|-----------------------------------|---------------------------|--------------------------|--------------------------|----------------------------|
| 1 | | 60110811 | | VITE M8x30 TE UNI 5739 | SCREW | VIS | SCHRAUBE | TORNILLO |
| 2 | | 60210805 | | DADO M8 H5 UNI 5589 | NUT | ECROU | MUTTER | TUERCA |
| 3 | | 60220801 | | DADO M8 H8 AUTOBL. UNI 7474 | LOCK NUT | ECROU AUTOBLOQUANT | STOPMUTTER | TUERCA AUTOBLOQUEANTE |
| 4 | | 20203030 | 1 | BRACCIO TERZO PUNTO | ARM | BRAS | ARM | BRAZO |
| 5 | | 60221002 | | DADO M10 AUTOBL. UNI 7474 | LOCK NUT | ECROU AUTOBLOQUANT | STOPMUTTER | TUERCA AUTOBLOQUEANTE |
| 6 | | 47002030 | | DISTANZIALE | SPACER | ENTRETOISE | DISTANZHÜLSE | DISTANCIADOR |
| 7 | | 20203020 | 1 | REGISTRO TERZO PUNTO | ARM ADJUSTER | REGISTRE DE BRAS | ARMREGULIERUNG | REGULADOR DEL BRAZO |
| 9 | | 60211001 | | DADO M10 H8 UNI 5588 | NUT | ECROU | MUTTER | TUERCA |
| 10 | | 47210100 | 2 | MOLLA COMPRESIONE 17x2,2x46 | COMPRESSION SPRING | RESSORT DE COMPRESSION | DRUCKFEDER | RESORTE DE COMPRESIÓN |
| 11 | | 20203060 | 2 | GUIDA MOLLA | SPRING GUIDE | GUIDE DE RESSORT | FEDERFÜHRUNG | GUIA DE RESORTE |
| 12 | | 20203050 | 1 | COLONNETTA BRACCI | STUD BOLT ARMS | COLONNETTE BRAS | GEWINDEBOLZEN ARME | PRISIONERO BRAZOS |
| 13 | | 60508001 | | RONDELLA 8 GROWER DIN 127B | LOCK WASHER | RONDELLE FREIN | ZAHNSCHEIBE | ARANDELA DENTADA |
| 14 | | 60210810 | | DADO M8 H8 UNI 5587 | NUT | ECROU | MUTTER | TUERCA |
| 15 | | 60220802 | | DADO M8 H9,5 AUTOBL. UNI 7473 | LOCK NUT | ECROU AUTOBLOQUANT | STOPMUTTER | TUERCA AUTOBLOQUEANTE |
| 16 | | 60308004 | | ROSETTA 8x17 UNI 6592HH DIN 125A | WASHER | RONDELLE | UNTERLAGSCHEIBE | ARANDELA |
| 17 | | 20202040 | 1 | COLONNETTA BRACCIO SINISTRA | STUD BOLT LEFT ARM | COLONNETTE BRAS GAUCHE | GEWINDEBOLZEN LINKER ARM | PRISIONERO BRAZO IZQUIERDO |
| 18 | | 60309002 | | ROSETTA 8x24x2 UNI 6593 | WASHER | RONDELLE | UNTERLAGSCHEIBE | ARANDELA |
| 20 | | 60110807 | | VITE M8x20 TE UNI 5739 DIN 933 | SCREW | VIS | SCHRAUBE | TORNILLO |
| 21 | | 60220601 | | DADO M6 H6 AUTOBL. UNI 7474 | LOCK NUT | ECROU AUTOBLOQUANT | STOPMUTTER | TUERCA AUTOBLOQUEANTE |
| 22 | | 20103020 | 4 | MORSETTO COMANDO BASAMENTO | HOLDFAST BASE CONTROL | ETAU COMMANDE EMBASE | KLEMMGEHÄUSEBETÄTIGUNG | MORDAZA MANDO BANCADA |
| 23 | | 20203010 | 1 | BRACCI COMANDO BASAMENTO | ARMS BRUSHES BASE CONTROL | BRAS COMMANDE EMBASE BR. | ARME BÜRSTENBETÄTIGUNG | BRAZOS MANDO BANCADA CEP. |
| 24 | | 47220060 | 1 | MOLLA TRAZ. 20x3,2x60 | TRACTION SPRING | RESSORT DE TRACTION | ZUGFEDER | RESORTE DE TRACCIÓN |
| 25 | | 60210601 | | DADO M6 H3 DIN 439 INOX | NUT INOX | ECROU INOX | MUTTER INOX | TUERCA INOX |
| 26 | | 60306010 | | ROSETTA 6x24x2 UNI 6593 | WASHER | RONDELLE | UNTERLAGSCHEIBE | ARANDELA |
| 27 | | 62406005 | 1 | TIRANTE M8x120 PRESSIONE SPAZZOLE | TIE ROD BRUSHES PRESSURE | TIRANT PRESSION BROSSES | SPANNSTANGE BÜRSTENDRUCK | TIRANTE PRESIÓN CEPILLOS |
| 28 | | 60210607 | | DADO M6 H6 UNI 5587 | NUT | ECROU | MUTTER | TUERCA |
| 29 | | 61706003 | 1 | GALLETTO GB48 M6 F.P. | WING NUT | ECROU PAPILLON | FLÜGELMUTTER | MARIPOSA |
| 30 | | 20202020 | 1 | PIASTRA MORSETTI | PLATE HOLDFASTS | PLAQUE DES ETAUX | KLEMMENPLATTE | PLANCHA MORDAZAS |
| 31 | | 60100607 | | VITE M6x70 TTQST UNI 5732 | SCREW | VIS | SCHRAUBE | TORNILLO |
| 32 | | 60100604 | | VITE M6x40 TTQST UNI 5732 | SCREW | VIS | SCHRAUBE | TORNILLO |
| 33 | | 60220603 | | DADO M6 AUTOBL. UNI 7473 DIN 982 | LOCK NUT | ECROU AUTOBLOQUANT | STOPMUTTER | TUERCA AUTOBLOQUEANTE |
| 34 | | 60110604 | | VITE M6x12 TE UNI 5739 | SCREW | VIS | SCHRAUBE | TORNILLO |
| 35 | | 20203500 | 1 | PEDALE | PEDAL | PEDALE | PEDAL | PEDAL |
| 37 | | 20103040 | 1 | COPERTURA PEDALE | PEDAL COVER | GARNITURE DE PEDALE | PEDALGUMMI | CUBREPEDAL |
| 38 | | 60508004 | | RONDELLA CON. Ø 8,5x22x1 | CONICAL WASHER | RONDELLE CONIQUE | KONISCHE SCHEIBE | ARANDELA CÓNICA |