

Specifications of the material

PU (polyurethane): it is a transparent oil resistant material and dries well also tiled floors and floors with medium-sized joints.

Antiolio (Oil-resistant): white colour with hardness which goes between 40sh and 50sh. Suitable to dry oily floors, but not with an elevated drying result and rolled concrete floor (not tiled floors).

Vulkollan: particular type of polyurethane; it is used mainly for the front rubber (striped). It does not have particular drying characteristics.

Para 33 shore: dark red colour; it is a very pure natural rubber and it has excellent drying characteristics, especially on tiled floors. Because of its softness, this rubber is not recommended on very rough floors.

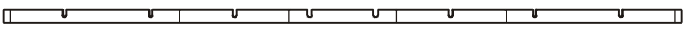

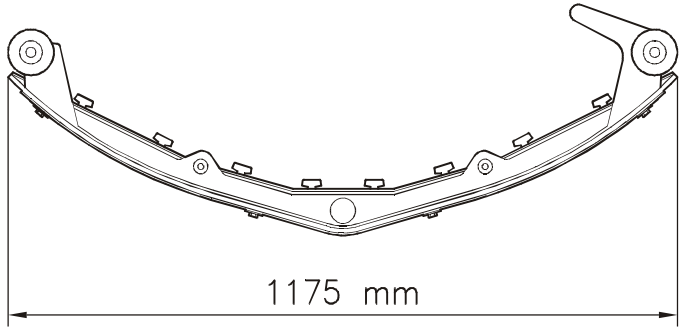
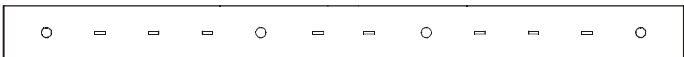
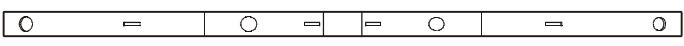
Para 40 shore: brown colour; it has good drying characteristics on all types of floors and it is also resistant.

Para 50 shore: light brown colour; suitable for industrial floors with an excellent resistance.


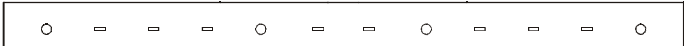
Linatex: it is the commercial name of a particular type of rubber in para (natural rubber). Its colour is light red and it is suitable especially on floors with large and deep joints (such as supermarket floors).

PS: all squeegee rubbers are provided with the part number stamped, this to avoid ordering mistakes.

diamond 85/100 (only spare parts)

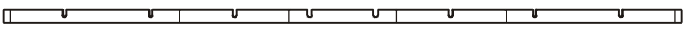

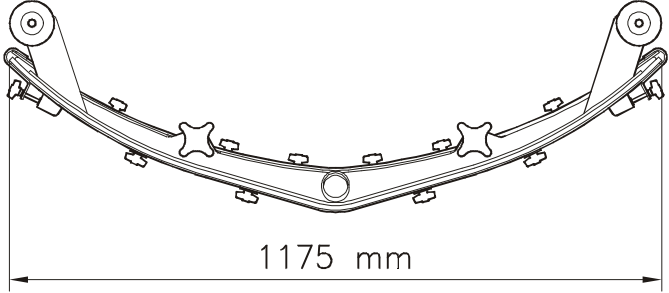


	CODE	MATERIAL	DIMENSIONS (mm)
	48307150	Fe (iron)	
	48407080	PU 85shore	1271 x 50
 <p style="text-align: center;">1175 mm</p> <p style="text-align: center;">Squeegee length with rubber</p>	V8207030	Fe (iron)	Assy - 1110 mixed shape
	48407090	Para 33 sh	1307 x 100 x 8
	48307160	Fe (iron)	

Optional



	CODE	MATERIAL	DIMENSIONS (mm)
 <p style="text-align: center;">FRONT</p>	48407110	PU	1271 x 50
 <p style="text-align: center;">REAR</p>	48407070 48407100	Linatex PU	1307 x 100 x 8 1307 x 100 x 8

Up to serial number: 10001513

diamond 85/100 (standard series heavy)

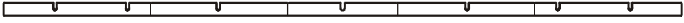

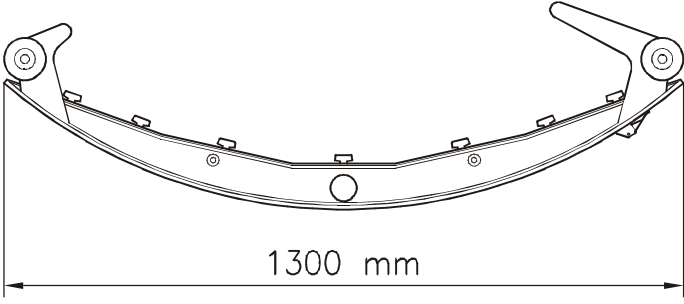
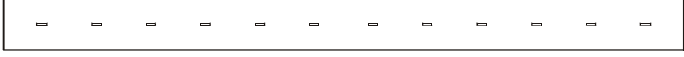
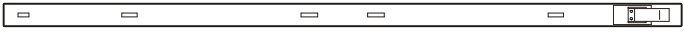
	CODE	MATERIAL	DIMENSIONS (mm)
	48307180	Fe (iron)	
	48407130	PU 85 sh	1256 x 50
 <p>1175 mm Squeegee length with rubber</p>	V8207040	Fe (iron)	Assy - 1175 mixed shape
	48407120	PARA 40 sh	1333 x 100 x 8
	48307190	Fe (iron)	

Optional

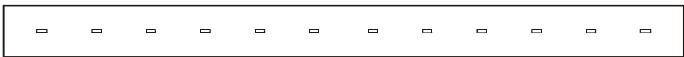
	CODE	MATERIAL	DIMENSIONS (mm)
 <p>FRONT</p>	48407150	PU 85 sh	1256 x 50
 <p>REAR</p>	48407140 48407160	LINATEX PU	1333 x 100 x 8 1333 x 100 x 8

Starting serial number: 12002216

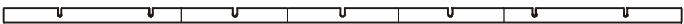

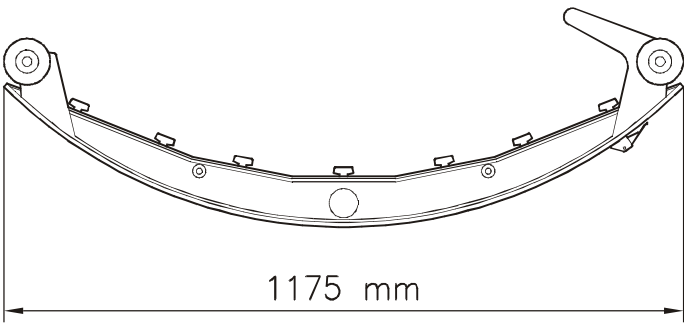

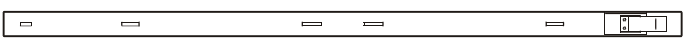
diamond 100s (standard)

	CODE	MATERIAL	DIMENSIONS (mm)
	48307130	Fe (iron)	
	48407020	Vulkollan	1337 x 52,5
 <p style="text-align: center;">1300 mm</p> <p style="text-align: center;">Squeegee length with rubber</p>	V8207020	Fe (iron)	Assy - 1230
	48407010	Para 33 sh	1408 x 100 x 8
	V8307030	Inox	

Optional

	CODE	MATERIAL	DIMENSIONS (mm)
	48407030	Linatex	1408 x 100 x 8
	48407040	PU	1408 x 100 x 8

diamond 85 (1st series)

	CODE	MATERIAL	DIMENSIONS (mm)
	48307120	Fe (iron)	
	48407060	Vulkollan	
 <p>1175 mm</p> <p>*no assembly available, only single part numbers</p>			
	48407050	Para 33 sh	
	V8307010	Inox	