

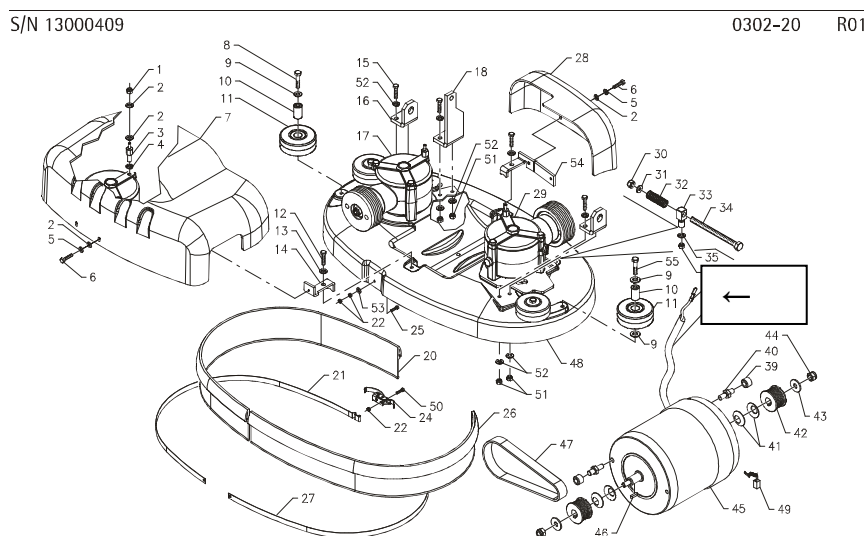


Different technical modifications and updatings on amber 66 – 83



Here below you will find the most important modifications carried out on above-mentioned machines. We ask you to carefully read all the information, necessary for your future orders. We add the updated index with all its revisions, so that you may easily verify which tables are missing in your files and ask for the relative copies.

→ Starting from serial number: 13000409 dated 23/01/13 – table 0302-20 R01, pos. 11
 The brushes base 48503010 has been provided with a seat to permit the assembly of the bumper wheels also on the left side. Because of different requests from our customers, we introduce this assembly as standard.
 This modification can be applied on machines produced after 2008.



Ref. table 0303-12 R00 = we have modified the table to become more comprehensible.

- Starting from serial number: 13000963 dated 28/02/13 for amber 66
13000681 dated 18/02/13 for amber 83

ref. table 0305-10 R04

We have had some problems concerning the adjustment, because it was positioned at the limit of the screw, furthermore lifting the squeegee, the supports were not sufficiently blocked and fell down. New supports (pos. 13 and 28) have been assembled that permit a greater adjustment and that have a mechanical limit stop that prevents the wheels to fall down onto the floor. We have modified also the wheel support pin (pos. 27) to improve the fixing to the squeegee support.

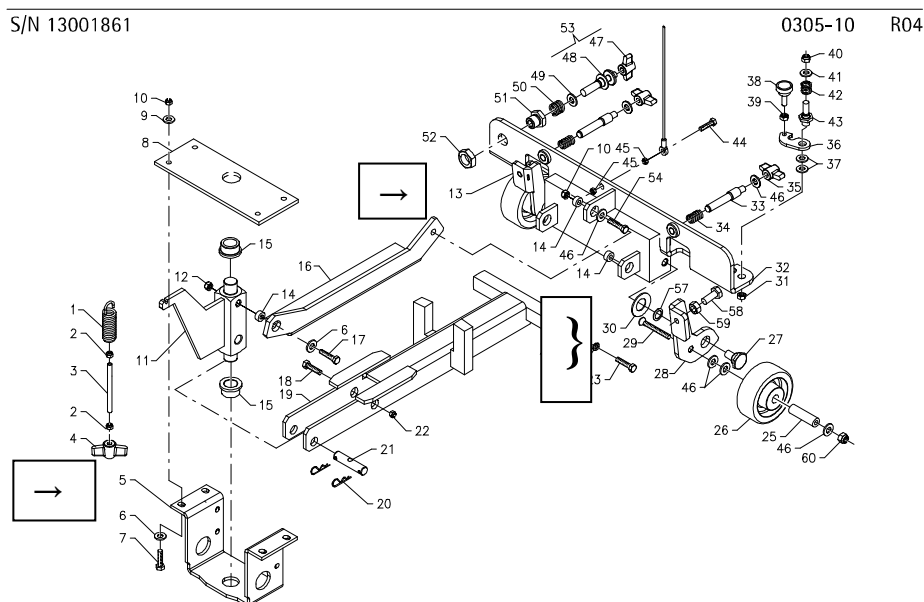
The new supports are interchangeable with the previous ones adding the bolts as per revised table.

- Starting from serial number: 13001861 dated 23/05/13

Because of lateral hits of the squeegee, its arm joint (pos. 5) got deformed. We have added some lateral reinforcement ribs. The support is interchangeable with the previous one.

- Starting from serial number: 13004241 dated 25/11/13

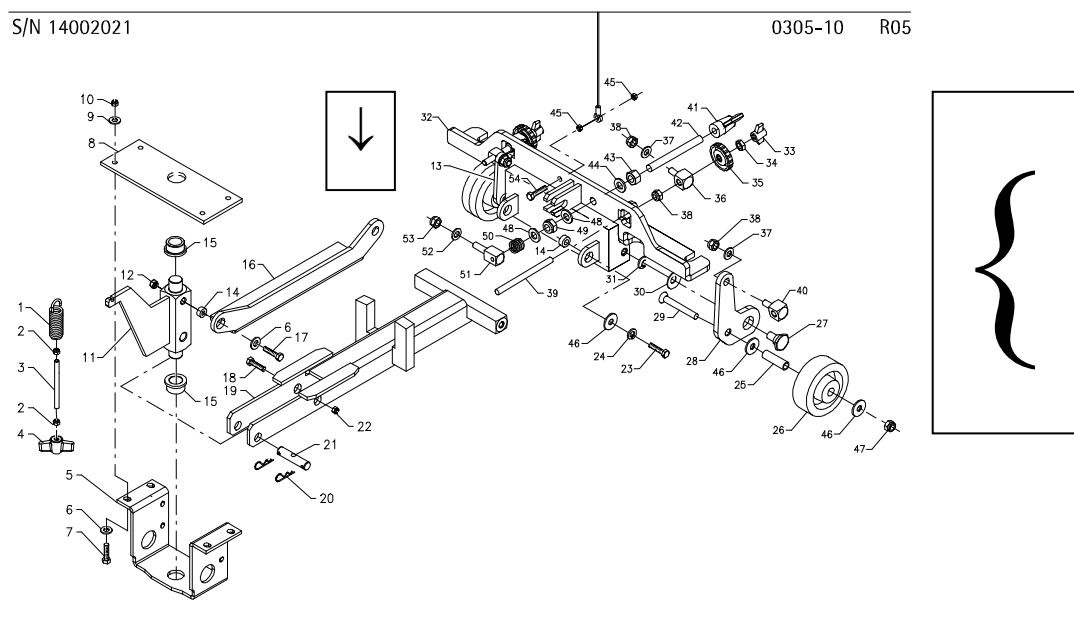
The squeegee adjustment results to be difficult because you work next to the limit stop. We have modified the wheel supports (pos. 13 and 28) moving the fixing hole of the wheel. You obtain in this way both a greater adjustment precision and the possibility to adjust the different squeegee types in a range that is not near to the limit. The new supports are perfectly interchangeable with the previous ones.



→ Starting from serial number: 14002021 dated 26/05/14 – table 0305-10 R05

The complete squeegee coupling will be replaced with a new one, because the adjustment with this new system is much more solid also in presence of heavy impacts. Consequently the adjustment system has been modified and therefore a new coupling and new wheel supports are needed. The adjustment will not be anymore by simple leaning onto the support but the new system will be equipped with a threaded tie rod and an adjuster. The new system may be applied integrally also on already produced machines.

3



Ref. table 0307-10 R00 – pos. 2

In case you should have slipping problems, you can ask for an anti-skid wheel with double mixing. Its part number is 46524060.

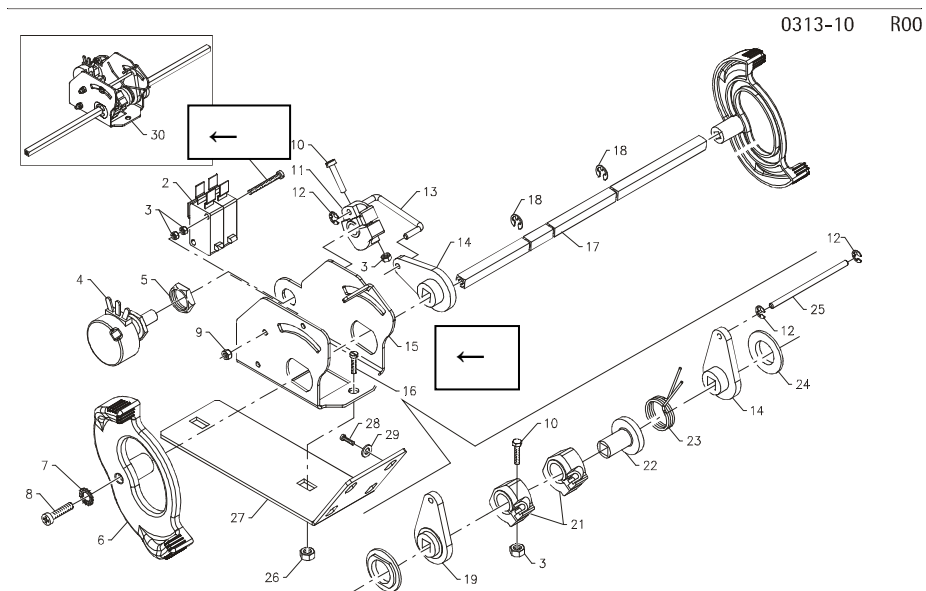
Ref. table 0312-10 R02

During 2011 (serial number 11003658) we have replaced the faston fuses with type-approved ones having 52V.

Ref. table 0312-30 R00

We have modified some fuse and made some other change, adding some missing parts.

We have updated table 0313-10 R00 by adding the complete drive control (pos. 30) and we have modified the drawing of the drive control support (pos. 15).



At your disposal for additional explanations, we remain

with best regards
ADIATEK SRL
Technical dept.

Amore