

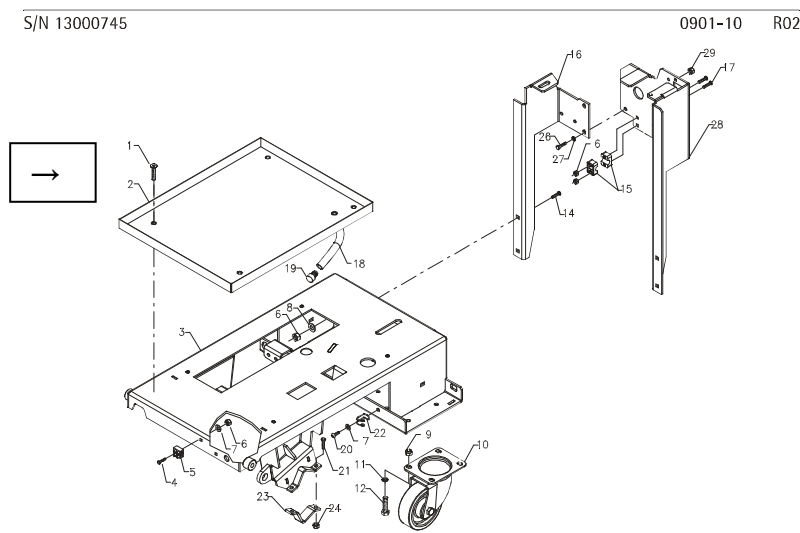


## Different technical modifications and updates on amber 66 – 24V



Here below you will find the most important modifications carried out on above-mentioned machine. We ask you to carefully read all the information, necessary for your future orders. We add the updated index with all its revisions, so that you may easily verify which tables are missing in your files and ask for the relative copies.

→ Starting from serial number: 13000745 dated 25/02/13 – table 0901-10 R02, pos. 2  
 In order to fit the on-board battery recharger with part number V0300007 (table 0912-30 R00) it is necessary to move the batteries forward. A new battery base has therefore been made that will replace the previous one.



→ Starting from serial number: 12001812 dated 28/05/12 – table 0902-10 R02 and consequently table 0902-10 R03 starting with serial number 13003353 dated 08/10/13:

During 2012 we have modified the motor shaft to realize the same system with an adjustable pulley present on the brushes base of jade 66. The motor gets a new part number and a new motor pulley has been inserted. The fixing screw is replaced with a lock nut and finally the compensating cupped washers are introduced.

The complete pre-assembly can be used as spare parts also on already produced machines.

Take off:

- 1 46220160 motor 24V-600W 1600G
- 1 46920200 motor pulley Ø 30
- 1 60110807 screw M8x20 UNI 5739
- 1 60508001 lock washer 8 GROWER ASA B27

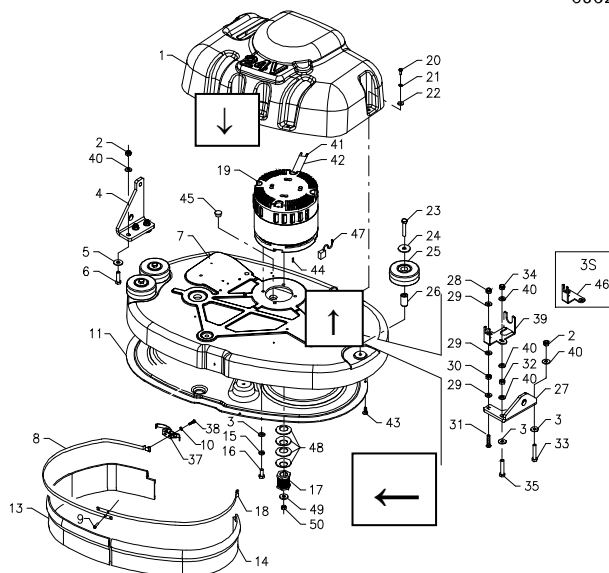
Add:

- 1 46220170 motor 24V-600W 1600G (pos. 19)
- 1 46920220 motor pulley Ø 30 (pos. 17)
- 4 47251410 cupped washer 14,3x34x1,25
- 1 60221002 lock nut M10 UNI 7474
- 1 60310002 washer 10,5x21x2 UNI 6592

In order to adjust better the belt position, we have lengthened the motor shaft of 4mm. Furthermore the key has been replaced with a longer one (pos. 44).

S/N 13003353

0902-10 R03



→ Starting from serial number: 13000963 dated 28/02/13 – table 0905-10 R03

We have had some problems concerning the adjustment, because it was positioned at the limit of the screw, furthermore lifting the squeegee, the supports were not sufficiently blocked and fell down. New supports (pos. 13 and 28) have been assembled that permit a greater adjustment and that have a mechanical limit stop that prevents the wheels to fall down onto the floor. We have modified also the wheel support pin (pos. 27) to improve the fixing to the squeegee support.

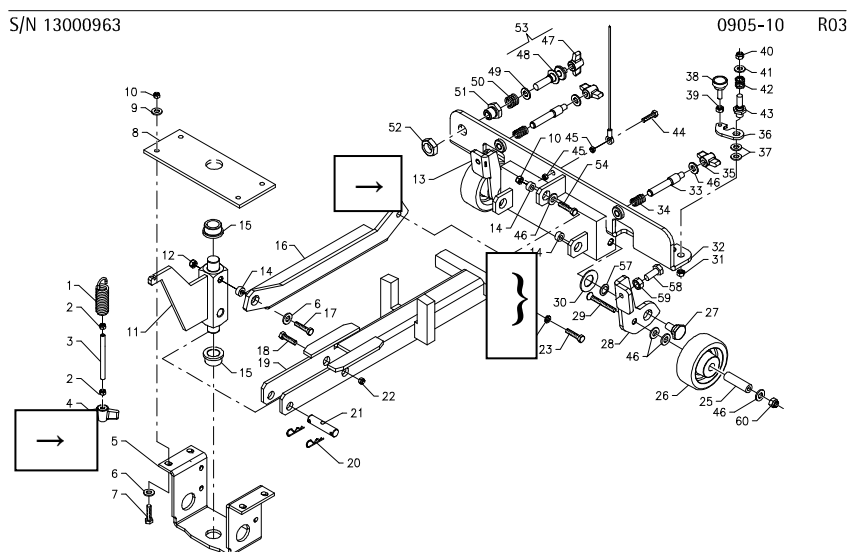
The new supports are interchangeable with the previous ones adding the bolts as per revised table.

→ Starting from serial number: 13001861 dated 23/05/13 – table 0905-10 R03

Because of lateral hits of the squeegee, its arm joint (pos. 5) got deformed. We have added some lateral reinforcement ribs. The support is interchangeable with the previous one.

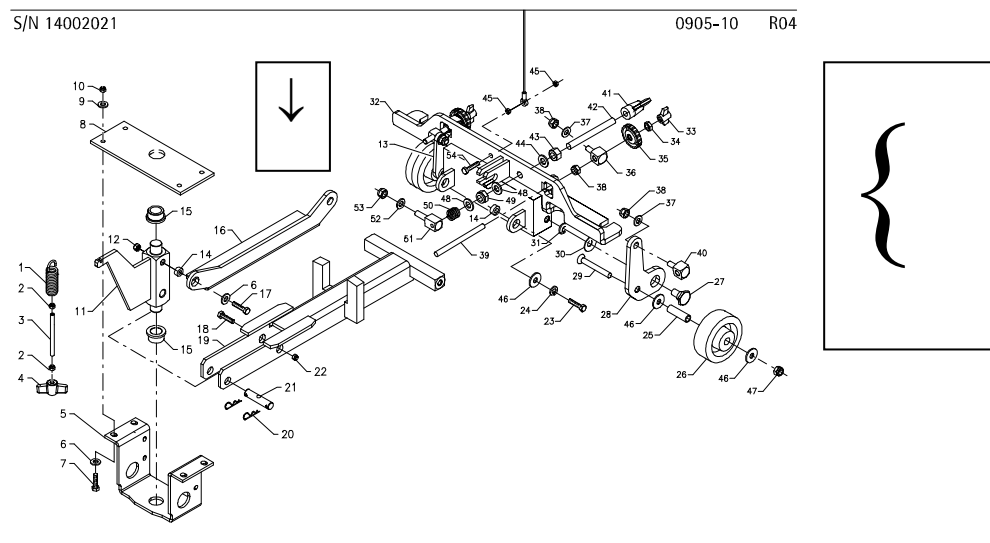
→ Starting from serial number: 13004557 dated 20/11/13 – table 0905-10 R03

The squeegee adjustment results to be difficult because you work next to the limit stop. We have modified the wheel supports (pos. 13 and 28) moving the fixing hole of the wheel. You obtain in this way both a greater adjustment precision and the possibility to adjust the different squeegee types in a range that is not near to the limit. The new supports are perfectly interchangeable with the previous ones.



→ Starting from serial number: 14002021 dated 26/05/14 – table 0905-10 R04

The complete squeegee coupling will be replaced with a new one, because the wheel adjustment of the previous version easily lost its setting. Consequently the adjustment system has been modified and therefore a new coupling and new wheel supports are needed. The adjustment will not be anymore by simple leaning onto the support but the new system will be equipped with a threaded tie rod and an adjuster. The new system may be applied integrally also on already produced machines.



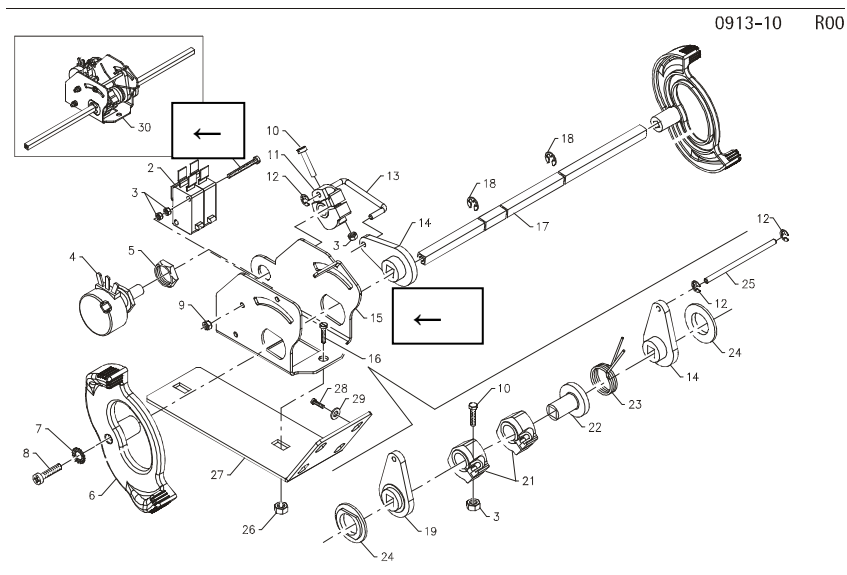
Ref. table 0907-10 R00 – pos. 3

In case you should have slipping problems, a special wheel is available having an outer polyurethane coating. Its part number is 46524110. We recommend furthermore to increase the wheel load by assembling heavier batteries or by adding an extra weight in front of the batteries.

We have furthermore corrected the description of pos. 20 = 63607145 set of 4 brushes 7x14

We have added three new tables for three different on-board battery chargers:  
**0912-20 R00, 0912-30 R00 and 0912-40 R00**

We have updated table 0913-10 R00 by adding the complete drive control (pos. 30) and we have modified the drawing of the drive control support (pos. 15).



At your disposal for additional explanations, we remain

with best regards  
**ADIATEK SRL**  
Technical dept.

*Amore*