

Specifications of the material

PU (polyurethane): it is a transparent oil resistant material and dries well also tiled floors and floors with medium-sized joints.

Antiolio (Oil-resistant): white colour with hardness which goes between 40sh and 50sh. Suitable to dry oily floors, but not with an elevated drying result and rolled concrete floor (not tiled floors).

Vulkollan: particular type of polyurethane; it is used mainly for the front rubber (striped). It does not have particular drying characteristics.

Para 33 shore: dark red colour; it is a very pure natural rubber and it has excellent drying characteristics, especially on tiled floors. Because of its softness, this rubber is not recommended on very rough floors.



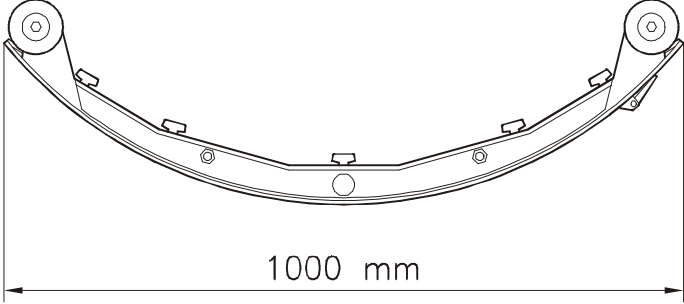
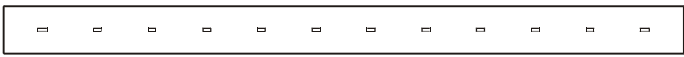
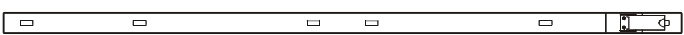
Para 40 shore: brown colour; it has good drying characteristics on all types of floors and it is also resistant.

Para 50 shore: light brown colour; suitable for industrial floors with an excellent resistance.

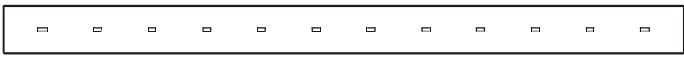
Linatex: it is the commercial name of a particular type of rubber in para (natural rubber). Its colour is light red and it is suitable especially on floors with large and deep joints (such as supermarket floors).

PS: all squeegee rubbers are provided with the part number stamped, this to avoid ordering mistakes.



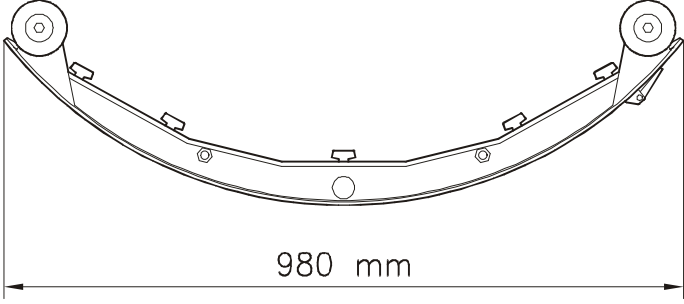

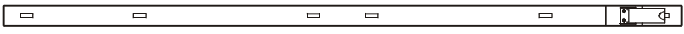
amber 66 (series heavy narrow standard)

	CODE	MATERIAL	DIMENSIONS (mm)
	48306130	Fe (iron)	
	48403020	PU	1057 x 45
 <p style="text-align: center;">1000 mm</p> <p style="text-align: center;">Squeegee length with rubber</p>	V8206110	Fe (iron)	Assy - 950
	48406100	Para 40 sh	1135 x 75 x 6
	V8306020	Inox	


Optional

	CODE	MATERIAL	DIMENSIONS (mm)
	48406110	Oil-resistant	1135 x 75 x 5
	48406120	Para 33 sh	1135 x 75 x 6
	48406130	Linatex	1135 x 75 x 6
	48406140	PU	1135 x 75 x 6



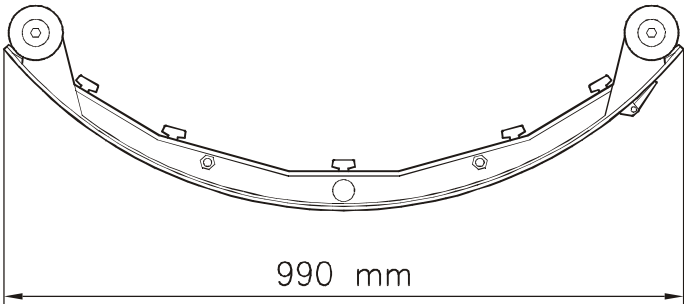
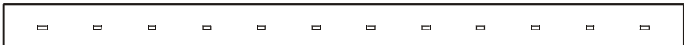
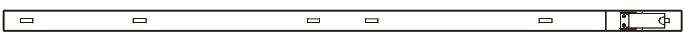
amber 66 (series light only spare parts)

	CODE	MATERIAL	DIMENSIONS (mm)
	48303020 48303030	Inox Fe (iron)	
	48403020	PU	1057 x 45
 980 mm			
*no assembly available, only single part numbers			
	48403010	Para 40 sh	1135 x 75 x 5
	V8306020	Inox	

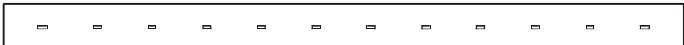
Optional

	CODE	MATERIAL	DIMENSIONS (mm)
	48403030	Para 33 sh	1135 x 75 x 5
	48403040	Para 50 sh	1135 x 75 x 5
	48403090	Oil-resistant	1135 x 75 x 4
	48403130	PU	1135 x 75 x 5

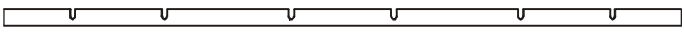

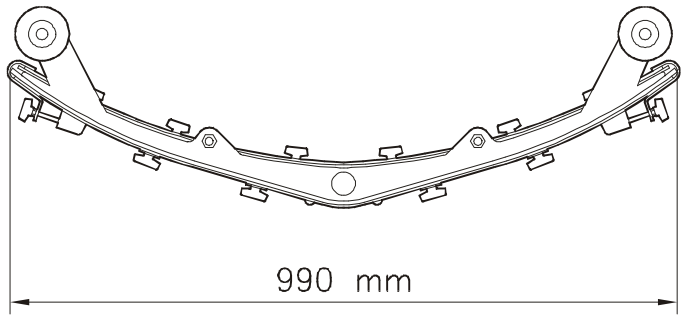

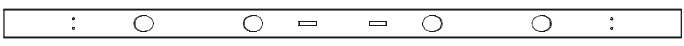
amber 66 (series heavy only spare parts) not narrow

	CODE	MATERIAL	DIMENSIONS (mm)
	48306110 48306120	Inox Fe (iron)	
	48403020	PU	1057 x 45
 <p>990 mm</p> <p>*no assembly available, only single part numbers</p>			
	48406100	Para 40 sh	1135 x 75 x 6
	V8306020	Inox	

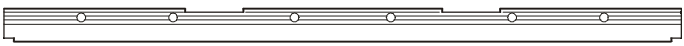
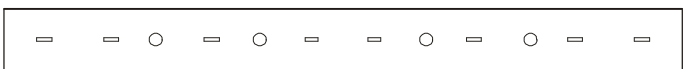
Optional

	CODE	MATERIAL	DIMENSIONS (mm)
	48406110	Oil-resistant	1135 x 75 x 5
	48406120	Para 33 sh	1135 x 75 x 6
	48406130	Linatex	1135 x 75 x 6
	48406140	PU	1135 x 75 x 6



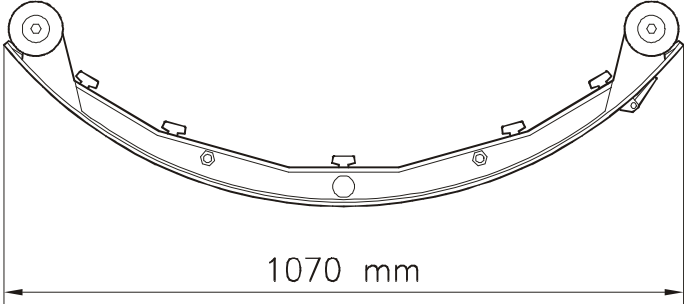

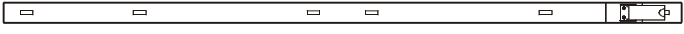
amber 66 "V" (optional)

	CODE	MATERIAL	DIMENSIONS (mm)
	48306170	Fe	
	48406210	PU	1020 x 50
 <p style="text-align: center;">990 mm</p> <p style="text-align: center;">Squeegee length with rubber</p>	V8203100	Fe	Assieme - 990
	48406190	Para 40 sh	1073 x 95 x 6
	48306160	Fe	


Optional

	CODE	MATERIAL	DIMENSIONS (mm)
 <p style="text-align: center;">FRONT</p>	48406220	PU	1020 x 50
 <p style="text-align: center;">REAR</p>	--- 48406200 ---	Para 33 sh Linatex PU	1073 x 95 x 6



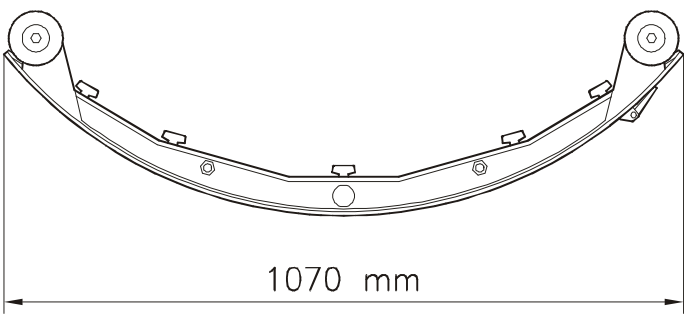
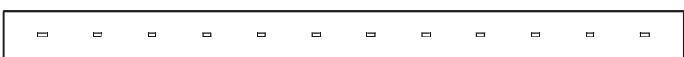
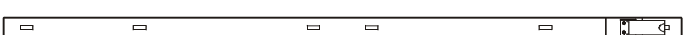
amber 83 (series heavy narrow standard)

	CODE	MATERIAL	DIMENSIONS (mm)
	48306060 48306080	Inox Fe (iron)	
	48403060	PU	1120 x 45
 <p style="text-align: center;">1070 mm</p> <p style="text-align: center;">Squeegee length with rubber</p>	V8206060	Fe (iron)	Assy – 1070 medium
	48406050	Para 40 sh	1198 x 75 x 6
	V8306060	Inox	

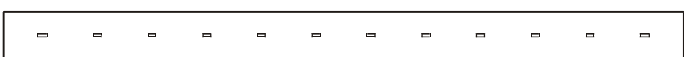
Optional

	CODE	MATERIAL	DIMENSIONS (mm)
	48406060	Para 33 sh	1198 x 75 x 6
	48406070	Linatex	1198 x 75 x 6
	48406080	Oil-resistant	1198 x 75 x 5
	48406090	PU	1198 x 75 x 6



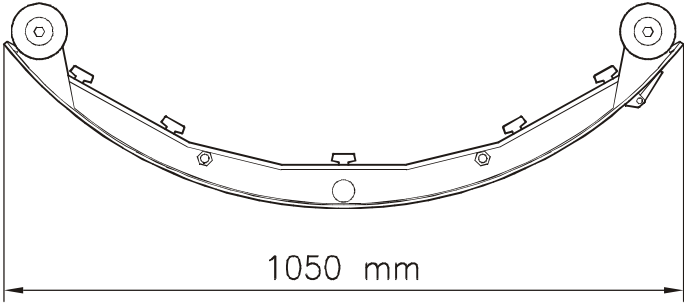


amber 83 (series heavy only spare parts)

	CODE	MATERIAL	DIMENSIONS (mm)
	48306070	Fe (iron)	
	48403060	PU	1120 x 45
 <p>1070 mm</p> <p>*no assembly available, only single part numbers</p>			
	48406050	Para 40 sh	1198 x 75 x 6
	V8306060	Inox	

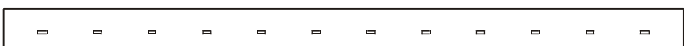
Optional

	CODE	MATERIAL	DIMENSIONS (mm)
	48406060	Para 33 sh	1198 x 75 x 6
	48406070	Linatex	1198 x 75 x 6
	48406080	Oil-resistant	1198 x 75 x 5
	48406090	PU	1198 x 75 x 6



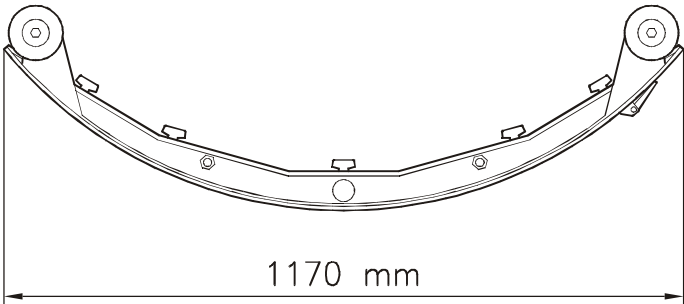
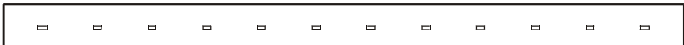
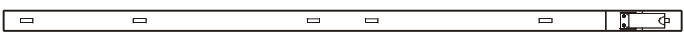
amber 83 (series light only spare parts)

	CODE	MATERIAL	DIMENSIONS (mm)
	48303060 48303070	Inox Fe (iron)	
	48403060	PU	1120 x 45
 <p>1050 mm</p> <p>*no assembly available, only single part numbers</p>			
	48403050	Para 40 sh	1198 x 75 x 5
	V8306060	Inox	

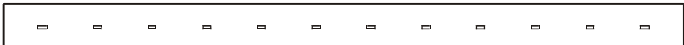
Optional

	CODE	MATERIAL	DIMENSIONS (mm)
	48403070	Para 33 sh	1198 x 75 x 5
	48403080	Para 50 sh	1198 x 75 x 5
	48403120	Oil-resistant	1198 x 75 x 4
	48403140	PU	1198 x 75 x 5



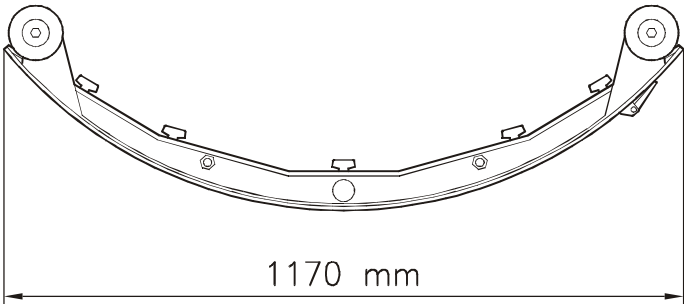
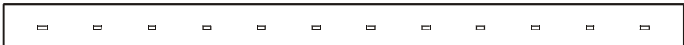
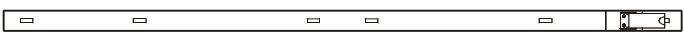
amber 83 (series heavy only spare parts)

	CODE	MATERIAL	DIMENSIONS (mm)
	48306020 48306030	Inox Fe (iron)	
	48403110	PU	1194 x 45
 <p>1170 mm</p> <p>*no assembly available, only single part numbers</p>			
	48406010	Para 40 sh	1290 x 75 x 6
	V8306110	Inox	

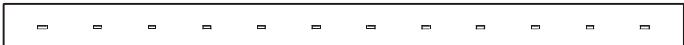
Optional

	CODE	MATERIAL	DIMENSIONS (mm)
	48406020	Para 33 sh	1290 x 75 x 6
	48406030	Oil-resistant	1290 x 75 x 5
	48406035	Linatex	1290 x 75 x 6
	48406040	PU	1290 x 75 x 6



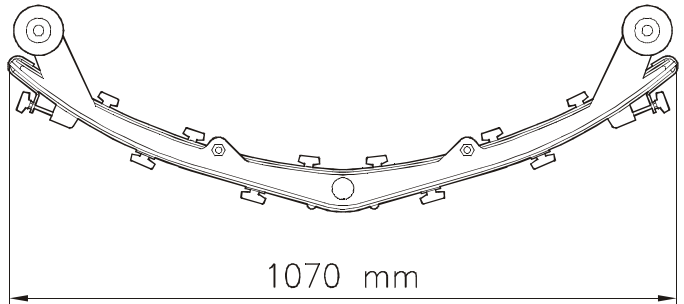


amber 83 (series heavy narrow optional long)

	CODE	MATERIAL	DIMENSIONS (mm)
	48306040	Fe (iron)	
	48403110	PU	1194 x 45
 <p style="text-align: center;">1170 mm</p> <p style="text-align: center;">Squeegee length with rubber</p>	V8206020	Fe (iron)	Assy - 1150
	48406010	Para 40 sh	1290 x 75 x 6
	V8306110	Inox	


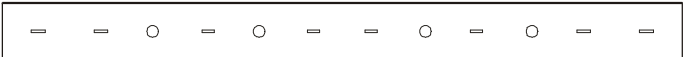
Optional

	CODE	MATERIAL	DIMENSIONS (mm)
	48406020	Para 33 sh	1290 x 75 x 6
	48406030	Oil-resistant	1290 x 75 x 5
	48406035	Linatex	1290 x 75 x 6
	48406040	PU	1290 x 75 x 6

amber 83 "V" (optional)

	CODE	MATERIAL	DIMENSIONS (mm)
	48306150	Fe (iron)	
	48406160	PU	1120 x 50
 <p style="text-align: center;">1070 mm</p> <p style="text-align: center;">Squeegie length with rubber</p>	V8203090	Fe (iron)	Assy - 1070
	48406150	Para 40 sh	1177 x 95 x 6
	48306140	Fe (iron)	

Optional

	CODE	MATERIAL	DIMENSIONS (mm)
 <p style="text-align: center;">FRONT</p>	48406180	PU	1120 x 50
 <p style="text-align: center;">REAR</p>	---	Para 33 sh	1177 x 95 x 6
	48406170	Linatex	1177 x 95 x 6
	---	PU	1177 x 95 x 6

Optional starting serial number: 11002151