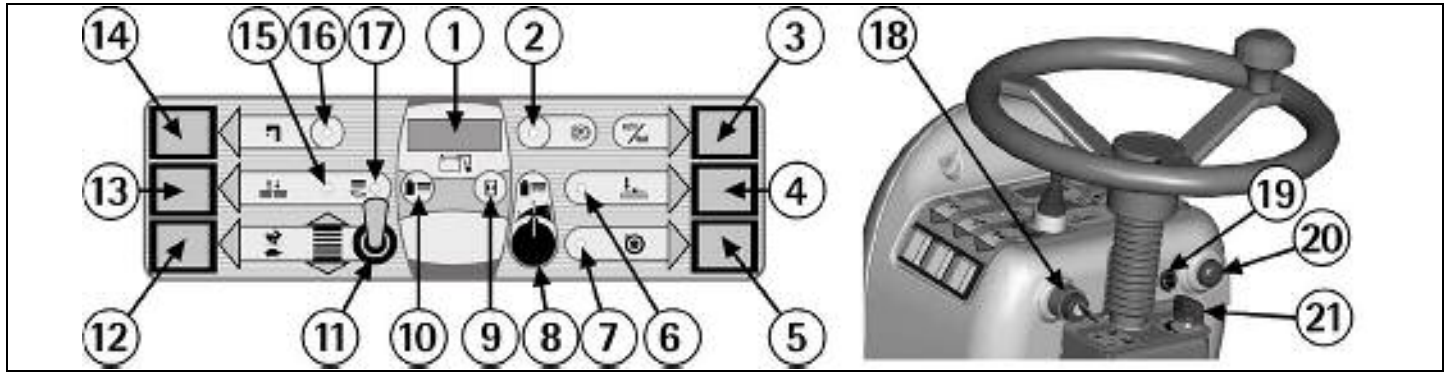


SUMMARY

LEGEND PANEL OF CONTROLS	16	Working in manual mode	22
LEGEND MACHINE	16	Working adjustments	22
TECHNICAL DESCRIPTION	17	Flow adjustment of the detergent solution	22
INTRODUCTORY COMMENT	18	Adjustment of the brushes pressure	22
GENERAL RULES OF SECURITY	18	Electric protection	23
SYMBOLOLOGY	18	Overflow device	23
OPTIONAL ACCESSORIES	18	STOP OF THE MACHINE AFTER CLEANING OPERATION	23
BEFORE USE	19	DAILY MAINTENANCE	23
Handling of the packed machine	19	Recovery tank emptying and cleaning	23
Unpacking of the machine	19	Suction filter cleaning	23
Access to the battery compartment	19	Brushes cleaning	23
Battery installation and setting of the battery type	19	Brushes disassembly	23
Assembling of the rollbar	19	Squeegee cleaning	23
Battery recharger	19	WEEKLY MAINTENANCE	24
Batteries recharging	19	Rear squeegee rubber check	24
Batteries disposal	20	Squeegee hose cleaning	24
Connection batteries' connector and switching on of the machine	20	Cleaning of the solution tank and of the outer filter	24
Batteries charge level indicator	20	TWO-MONTHLY MAINTENANCE	24
Hour meter	20	Front squeegee rubber check	24
Squeegee assembly	20	SIX-MONTHLY MAINTENANCE	24
Adjustment of the squeegee	20	Splash guard rubber check	24
Splash guard assembly	20	Cleaning of the inner filter solution tank	24
Brushes assembly	21	Check of the brake	24
FLOOR CLEANING	21	TROUBLESHOOTING GUIDE	24
Recovery tank	21	The suction motor does not work	24
Detergent solution tank	21	The brushes motor does not work	24
STARTING OF THE MACHINE	21	The traction motor does not work	25
Horn	21	The water does not come down onto the brushes or is insufficient	25
Working brake	22	The machine does not clean properly	25
Emergency-parking brake	22	The squeegee does not dry perfectly	25
Automatism squeegee lifting when going backwards	22	Excessive foam production	25
Working in automatic mode	22	PROGRAMMED MAINTENANCE	25
		RECOMMENDED BRUSHES	26

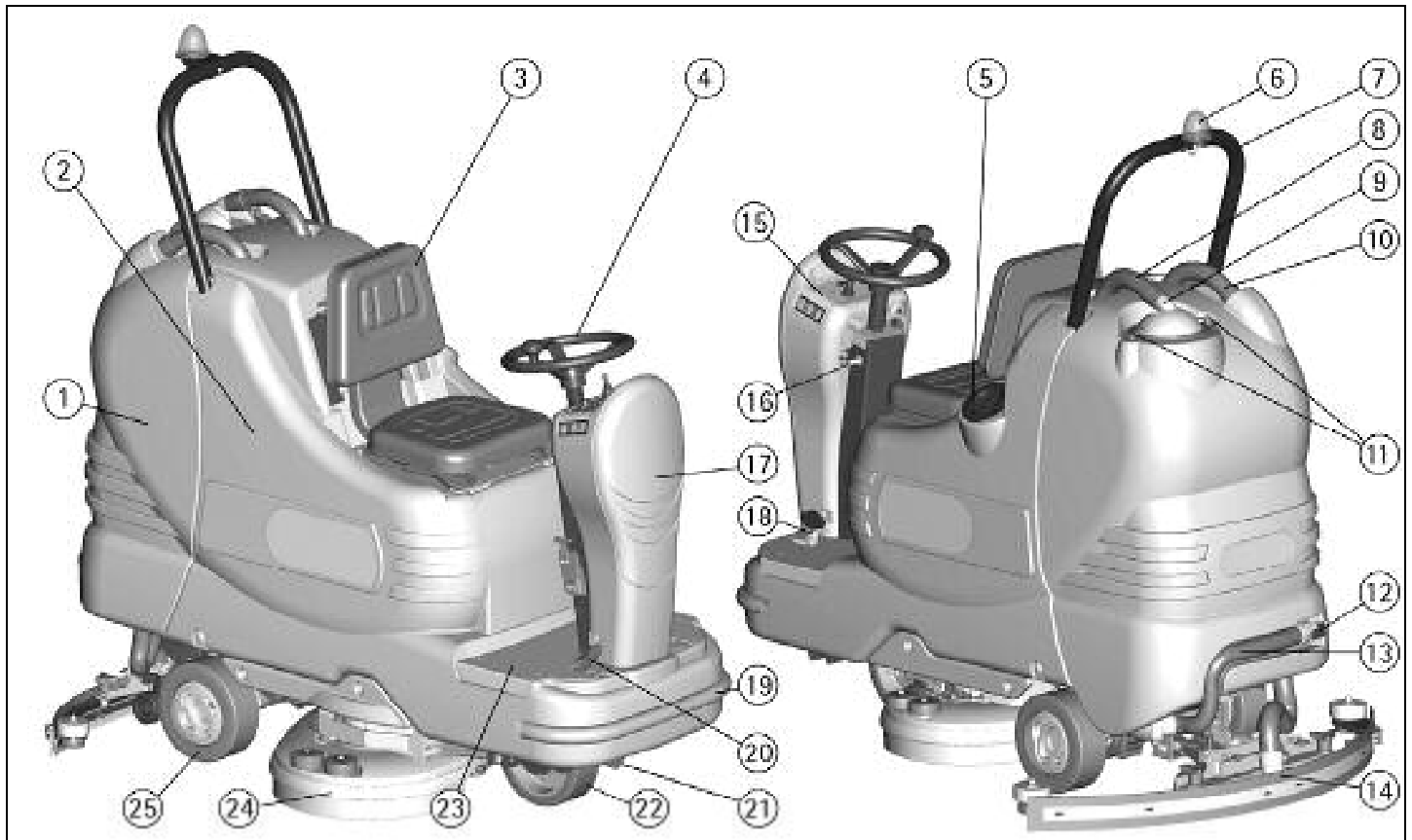
LEGEND PANEL OF CONTROLS

- | | |
|--|---|
| <ol style="list-style-type: none"> 1. DISPLAY 2. SIGNAL LAMP PARKING BRAKE 3. SELECTOR AUTOMATIC/MANUAL 4. PUSH BUTTON UP/DOWN SQUEEGEE 5. SWITCH SUCTION MOTOR 6. SIGNAL LAMP UP/DOWN SQUEEGEE 7. SIGNAL LAMP SUCTION MOTOR ON 8. ADJUSTMENT KNOB BRUSHES PRESSURE 9. PUSH BUTTON VISUALIZATION HOUR METER (DISPLAY) 10. PUSH BUTTON VISUALIZATION BRUSHES PRESSURE SET (DISPLAY) | <ol style="list-style-type: none"> 11. SELECTOR FORWARDS/BACKWARDS 12. SELECTOR SPEED 13. PUSH BUTTON UP/DOWN BRUSHES 14. SWITCH WATER OPENING (SOLENOID VALVE) 15. SIGNAL LAMP UP/DOWN BRUSHES 16. SIGNAL LAMP WATER OPEN (SOLENOID VALVE) 17. SIGNAL LAMP STARTING BRUSHES ROTATION 18. KEY SWITCH MACHINE ON 19. SWITCH FOR FRONT LIGHT (OPTIONAL) 20. PUSH BUTTON HORN 21. KNOB FOR SOLUTION VALVE |
|--|---|



LEGEND MACHINE

- | | |
|--|--|
| <ol style="list-style-type: none"> 1. RECOVERY TANK 2. SOLUTION TANK 3. SEAT 4. DRIVE WHEEL 5. SCREW CAP FOR INLET DETERGENT SOLUTION 6. BLINKING LIGHT 7. ROLLBAR 8. SUCTION HOSE 9. SUCTION COVER 10. SQUEEGEE HOSE 11. BLOCKING LEVERS SUCTION COVER | <ol style="list-style-type: none"> 12. PLUG EXHAUST HOSE RECOVERY TANK 13. EXHAUST HOSE RECOVERY TANK 14. SQUEEGEE ASSEMBLY 15. PANEL CONTROLS 16. LEVER BLOCK/RELEASE PARKING BRAKE 17. COVER ELECTRICAL LAYOUT 18. BRAKE PEDAL 19. BUMPER 20. PEDAL ACCELERATOR 21. OUTER FILTER DETERGENT SOLUTION 22. STEERING WHEEL 23. BOTTOM PLATE 24. BRUSHES BASE GROUP 25. TRACTION WHEELS |
|--|--|



TECHNICAL DESCRIPTION	U/M	sapphire 65	sapphire 85
Cleaning width	mm	660	850
Squeegee width	mm	980	1150
Working capacity, up to	sqm/h	4050	5200
Brushes diameter	mm	2 x 345	2 x 430
Brushes rpm	rpm	170	162
Pressure on the brushes	kg	80 max	85 max
Brushes motor	W	900	1125
Traction motor	W	600	600
Suction motor	W	570	570
Suction vacuum	mbar	190	190
Type of drive		automatic	automatic
Movement speed	km/h	6,1	6,1
Maximum gradient	%	10	10
Solution tank	l	110	110
Recovery tank	l	120	120
Machine length	mm	1660	1660
Machine height (without rollbar)	mm	1285	1285
Machine height (with rollbar and blinking light)	mm	1690	1690
Machine width (without squeegee)	mm	720	900
Weight of the machine (empty and without batteries)	kg	308	313
Capacity of the batteries	Ah ₅	240	240
Weight of the batteries	kg	300	300
Compartment of the batteries	mm	380x840x395	380x840x395
Acoustic pressure level (in conformity with EN 60704-1)	dB (A)	< 70	< 70
Class		III	III
Protection level	IP	23	23
Tension	V	36	36

INTRODUCTORY COMMENT

Thank you for having chosen our machine. This floor cleaning machine is used for the industrial and civil cleaning and is able to clean any type of floor. During its advance movement, the combined action of the brushes and the detergent solution removes the dirt which is aspirated through the rear suction assembly, giving a perfectly dry surface. The machine must be used only for such purpose. It gives the best performance if it is used correctly and maintained in perfect efficiency. We therefore ask you to read this instruction booklet carefully whenever difficulties arise in the course of the machine's use. In case of need, we ask you to contact our service department for all advice and servicing as may prove necessary.

GENERAL RULES OF SECURITY

The rules below have to be followed carefully in order to avoid damages to the operator and to the machine.

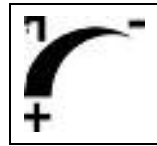
- Read the labels carefully on the machine. Do not cover them for any reason and replace them immediately if damaged.
- The machine must be used exclusively by authorized staff that has been instructed for its use.
- During the working of the machine, pay attention to other people and especially to the children.
- In case of danger act immediately upon the emergency brake.
- Leaving the machine in parking position, take off the key and act upon the parking brake.
- Do not mix different detergents, avoiding harmful odours.
- Do not place any liquid containers onto the machine.
- Storage temperature: between -25°C and +55°C.
- Perfect operating temperature: between 0°C and 40°C.
- The humidity should be between 30 and 95%.
- Do not use the machine in explosive atmosphere.
- Do not use the machine as a means of transport.
- Do not use acid solutions which could damage the machine and/or the persons.
- Do not use the machine on surfaces covered with inflammable liquids or dusts (for example hydrocarbons, ashes or soot).
- In case of fire, use a powder fire-extinguisher. Do not use water.
- Do not strike shelvings or scaffoldings, where there is danger of falling objects.
- Adapt the working speed to the adhesion conditions: particularly, slow down before narrow curves have to be faced.
- Do not use the machine on areas having a higher gradient than the one stated on the number plate.
- The machine has to carry out simultaneously the operations of washing and drying. Different operations must be carried out in restricted areas prohibited to non-authorized personnel. Signal the areas of moist floors with suitable signs.
- If the machine does not work properly, check by conducting simple maintenance procedures. Otherwise, ask for technical advice an authorized assistance centre.
- Where parts are required, ask for ORIGINAL spare parts to an authorized dealer.
- Use only ORIGINAL brushes indicated in the paragraph "RECOMMENDED BRUSHES".
- For any cleaning and/or maintenance operation take off the power supply from the machine.
- Do not take off the protections which require the use of tools to be removed.
- Do not wash the machine with direct water jets or with high water pressure nor with corrosive material.
- Every 200 working hours have a machine check through an authorized service department.
- In order to avoid scales on the solution tank filter, do not fill the detergent solution many hours before the machines' use.

- Before using the machine, check that all panels and coverings are in their position as indicated in this use and maintenance catalogue.
- Make sure that the recovery tank is empty before rotating it.
- Restore all electrical connections after any maintenance operation.
- Provide for the scrapping of the material of normal wear following strictly the respective rules.
- When, your machine has to stop activity, provide for the appropriate waste disposal of its materials, especially oils, batteries and electronic components, and considering that the machine itself has, where possible, been constructed using recyclable materials.

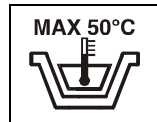
SYMBOLOLOGY



Symbol denoting the switch for the water opening and the signal lamp that the water is open.



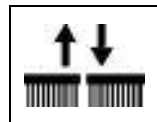
Symbol denoting the functioning of the solution valve adjusting the flow of the detergent solution.



Indication of the maximum temperature of the detergent solution. It is placed near the charging hole of the solution tank.



Symbol denoting the selection switch of the operation mode manual/automatic.



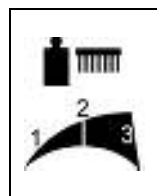
Symbol denoting the push button and the signal lamp up/down brushes.



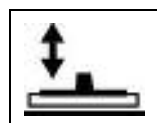
Symbol denoting the signal lamp of the starting of the brushes rotation.



Symbol denoting the push button to visualize on the display the brushes pressure set.



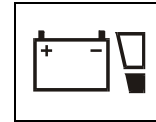
Symbol denoting the functioning of the adjustment knob of the brushes pressure.



Symbol denoting the push button and the signal lamp up/down of the squeegee.



Symbol denoting the switch of the suction motor.



Symbol denoting the charge level of the batteries.



Symbol denoting the push button to visualize the hour meter on the display.



Symbol denoting the drive selector forwards/backwards.



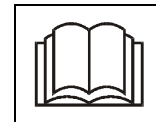
Symbol denoting the selection switch of the operation speed.



Symbol denoting the signal lamp of the parking brake switched on.



Symbol denoting the lever position for the connection of the parking brake.



Symbol denoting the open book. Indicates that the operator has to read the manual before the use of the machine.



Warning symbol. Read carefully the sections marked with this symbol, for the security of both the operator and the machine.

OPTIONAL ACCESSORIES



Front light and relative switch

BEFORE USE

HANDLING OF THE PACKED MACHINE

The machine is supplied with suitable packing foreseen for fork lift truck handling.

The total weight is 343kg.

Packing dimensions:

Base: 178 cm x 93 cm

Height: 138 cm

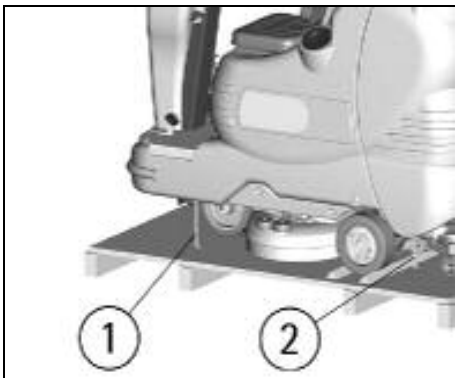


ATTENTION:

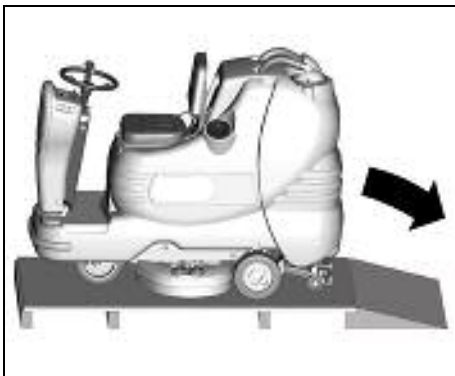
Do not place more than 2 packings on top of each other.

UNPACKING OF THE MACHINE

1. Remove the external packing.
2. Unscrew the brackets (1+2) that secure the machine to the pallet.



3. Move the machine backwards, as indicated in the figure, avoiding heavy contacts to mechanical parts.



4. Keep the pallet and the brackets for eventual transport.

ACCESS TO THE BATTERY COMPARTMENT

1. Bring the machine on a levelled surface.
2. Rotate the seat platform forward up to the blocking of the support.
3. Make sure that the recovery tank is empty, otherwise proceed to its emptying (see under paragraph "RECOVERY TANK EMPTYING AND CLEANING").
4. Rotate the recovery tank backwards until the safety cables are put in tension.
5. Having finished any intervention, to close the battery compartment, reposition first the recovery tank, then, after having released the support, reposition the seat platform being careful that it is going to block the tank engaging the slot placed on the rear part of the tank to the seat.



BATTERY INSTALLATION AND SETTING OF THE BATTERY TYPE

The machine is equipped either with batteries in serial connection or elements of DIN-type assembled together and connected in series for a total of 36 Volt, placed in its appropriate compartment under the seat platform and must be handled using suitable lifting equipment (due to weight, considering the type of batteries chosen, and coupling system). The batteries must be in accordance with CEI 21-5 Norms.



ATTENTION:

The machine and its battery check card foresee the use of traditional lead batteries. CHECK THE SETTING OF THE CHECK CARD (see under paragraph "BATTERIES CHARGE LEVEL INDICATOR"). In case of GEL batteries installation, it is necessary to set the battery check card. Please contact the authorized technical assistance.



ATTENTION:

Strictly follow manufacturer/distributor indications for the maintenance and recharge of the batteries. All installation and maintenance operations must be executed by specialized staff, using suitable protection accessories.

For batteries installation it is necessary to reach the battery compartment as indicated under paragraph "ACCESS TO THE BATTERY COMPARTMENT".

1. Place the batteries in its compartment.
2. Connect the terminals, respecting the polarities, avoiding contact with other parts that could create short circuit.

ASSEMBLING OF THE ROLLBAR

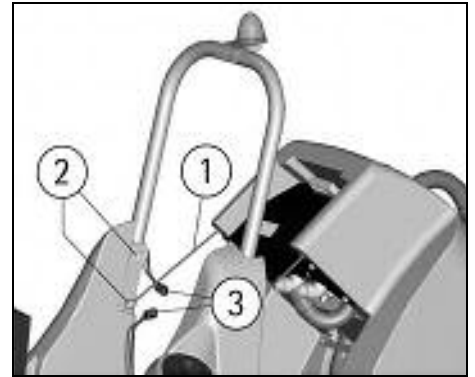
For packing reasons the support of the blinking light is supplied disassembled.

In each seat on the solution tank there are two screws. On the lower screw there is fixed the safety cable (1) to prevent the overturn of the recovery tank when this is being opened.

Proceed as follows:

1. Take off the two screws (2) from the seats on the tank.
2. Place the rollbar in its position so that the side where the cable of the blinking light comes out corresponds to the side of the machine where the cable on the tank is present.
3. Fasten the screws passing them in the same order in their holes foreseen on the rollbar.
4. Complete the assembly connecting the connectors (3) to supply the blinking light.

Afterwards, to remove the batteries from the machine, it is sufficient to take off only the upper screws (where the cable is not fixed) from their seats and rotate the rollbar backwards.



BATTERY RECHARGER

Make sure that the battery recharger is suitable for the installed batteries both for their capacities and type (lead/acid or GEL and equivalent).

In the plastic bag containing the use and maintenance you will find the coupling connector for the recharger. It must be assembled onto the cables of your recharger, following the instructions given by the manufacturer.



ATTENTION:

This operation must be carried out by qualified staff. A wrong or faulty cable connection can cause serious damages to persons or things.

BATTERIES RECHARGING

1. Plug the connector (3) of the battery recharger into the battery connector (1) fixed on the steering column.
2. Proceed for the recharging.



ATTENTION:

Never charge a GEL battery with a non suitable recharger. Strictly follow the instructions supplied by the batteries and recharger manufacturer.

In order not to cause permanent damages to the batteries, it is necessary to avoid their complete discharge, providing for the recharging within a few minutes after that the batteries discharge signal starts blinking.

NOTE: Never leave the batteries completely discharged even if the machine is not used. In case of traditional batteries, please check the electrolyte level every 20 recharging cycles and eventually top them up with distilled water. Never leave the batteries discharged for more than two weeks.



ATTENTION:

For the recharge of the batteries it is necessary to follow strictly all the indications given by the manufacturer/distributor. All the installation and maintenance operations must be carried out by qualified staff. **Danger of gas exhalations and emission of**

corrosive liquids. Fire danger: do not approach with free flames.

BATTERIES DISPOSAL

It is compulsory to hand over exhausted batteries, classified as dangerous waste, to an authorized institution according to the current laws.

CONNECTION BATTERIES' CONNECTOR AND SWITCHING ON OF THE MACHINE

Once that the battery recharging has been completed:

1. Disconnect the connector of the battery recharger from the battery connector (1).
 2. Connect instead the machine connector (2).
- To start any function of the machine, it is necessary to rotate clockwise the key switch. Rotating it counterclockwise any function will be switched off (see pos. 18 in "LEGEND PANEL OF CONTROLS").



BATTERIES CHARGE LEVEL INDICATOR

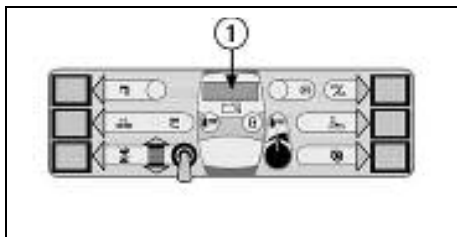
WHEN THE MACHINE IS SWITCHED ON, ON THE DISPLAY (1) APPEAR IN ORDER THE FOLLOWING INFORMATION:

1. the version (for example A003) of software installed on the machine.
2. the setting of the battery check card which can be:
GE 36: check card set for GEL batteries.
or
Pb 36: check card set for lead batteries.
3. The batteries charge level indicator is digital and remains fixed on the display. The battery charge level starts from 100, which indicates the 100% of the total charge and decreases from 10 to 10. When the charge level reaches 20%, the display starts blinking, so you are about the end of working.



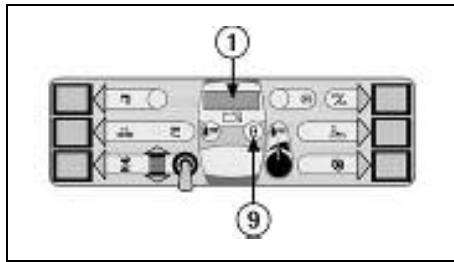
ATTENTION:

After a few seconds of the indication 10% and after this, the blinking of the four lines, all the functions stop automatically. With the remaining charge it is anyhow possible to finish the drying operation before proceeding to the recharge.



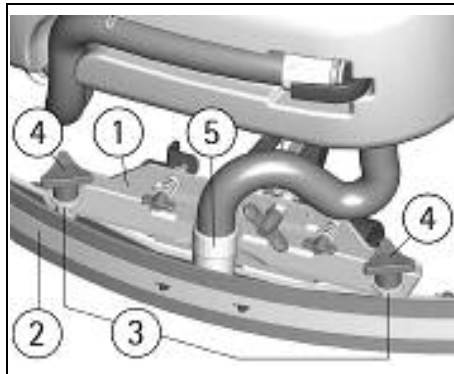
HOUR METER

The machine is equipped with an hour meter located on the same display (1) of the battery charge level indicator. Keeping the button (9) pressed, the first data indicates the working hours and after a few seconds the working minutes are shown.



SQUEEGEE ASSEMBLY

1. Maintain the squeegee support (1) slightly lifted from the floor.
2. Insert the threaded parts of the two knobs (4) making them slide inside the two slots on the support placed on the upper part of the squeegee (2).
3. Place the washers (3), they are two for each knob, so that they are assembled one under and the other on each of the two slots present on the support.
4. Block the squeegee by rotating the two knobs (4) clockwise.
5. Insert the squeegee hose (5) into its coupling, respecting its position as indicated in the figure.



ADJUSTMENT OF THE SQUEEGEE

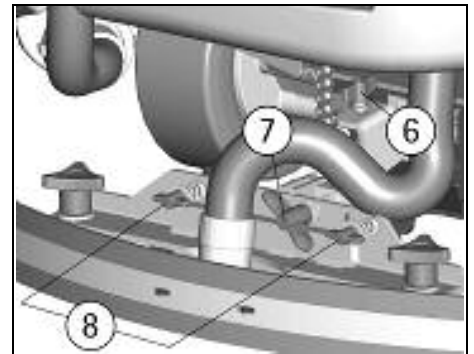
In order to have a perfect drying result through the squeegee, the rear rubber must have the lower bending uniformly adjusted in all its length. For the adjustment, it is necessary to put oneself in working condition and therefore the suction motor has to be switched on and the brushes have to function together with the detergent solution.

The lower part of the rubber is too much bent
Take off the pressure rotating the wing nut (6) counterclockwise.

The lower part of the rubber is not much bent
Increase the pressure rotating the wing nut (6) clockwise. Check that the wheels which adjust the height do not rest on the floor, in this case adjust them as indicated in paragraph "Height adjustment".

The bending is not uniform
Adjust the squeegee inclination rotating counterclockwise the wing nut (7) to increase the bending in the central part, or clockwise to increase the bending on the extremities.

Height adjustment
Once that the pressure and inclination of the squeegee have been adjusted, it is necessary to fix this optimum condition making touch slightly the wheels onto the floor. Rotate counterclockwise the registers (8) to lower the wheels or clockwise to raise them. Both wheels must be adjusted in the same measure.



ATTENTION:

Every type of floor requires a specific adjustment. For example, concrete floors (where the friction results to be high) need little pressure, while smooth floors (ceramics) need higher pressure. If the cleaning operations are made always on the same type of floor, the adjustment can change only in function of the rubber gear

SPLASH GUARD ASSEMBLY

(sapphire 65)

The two splash guards have to be assembled onto the brushes base group as indicated in the following figures. Insert the metal strips inside the suitable slots present on the rubber. Place the round hole at the flat extremity of the strip onto the pin (1) placed in the front part of the brushes base group. Secure the strips through the nut blocking it.

Block the coupling lever (2) in the rear part of the brushes base group to the ring placed at the extremity of the metal strip still free. Please act as above for both splash guard rubbers.

With the brushes assembled, the splash guard must slightly touch the floor.

For the disassembly it is necessary to proceed inversely with above-mentioned operations.

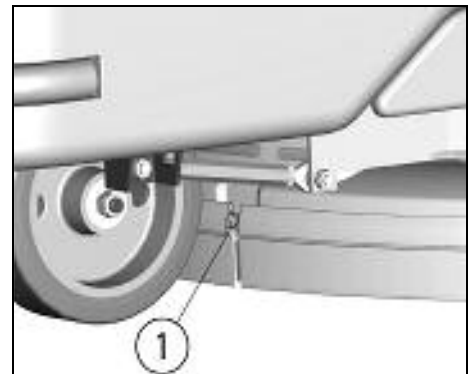
(sapphire 85)

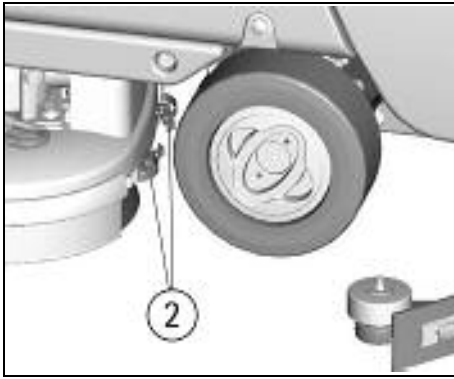
The two splash guards have to be assembled onto the brushes base group. Insert the metal strips inside the suitable slots present on the rubber. Place the round hole at the flat extremity of the strip onto the pins placed in the rear part of the brushes base group. Secure the strips through the nuts blocking them.

Block the coupling lever (2) in the front part of the brushes base group to the ring placed at the extremity of the metal strips still free. Please act as above for both splash guard rubbers.

With the brushes assembled, the splash guard must slightly touch the floor.

For the disassembly it is necessary to proceed inversely with above-mentioned operations.





BRUSHES ASSEMBLY

To assemble the brushes it is necessary that the brushes base is in the lifted position. If it is not lifted, proceed as follows:

Without the operator seated, turning the key switch clockwise, the display comes on and after 3 seconds all working groups come off automatically and are lifted from the floor.

Switch off the machine turning the key counter-clockwise.

⚠ ATTENTION:

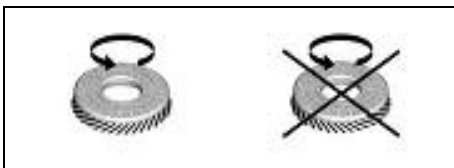
To carry out brushes assembly operations with the electric supply on, may cause damages to hands.

With the brushes base group in lifted position, insert the brushes into their plate seat underneath the brushes base turning them until the three metal buttons are properly seated in their slots; rotate energetically the brushes to push the button towards the coupling spring until they get blocked.

The figure shows the rotating sense for brushes coupling.



For a longer life of the brushes we suggest to invert daily their position. Whenever brushes result to be deformed we suggest to reassemble them in the same position, in order to avoid that the different inclination of the bristles causes excessive motor overload or troublesome vibrations.



⚠ ATTENTION:

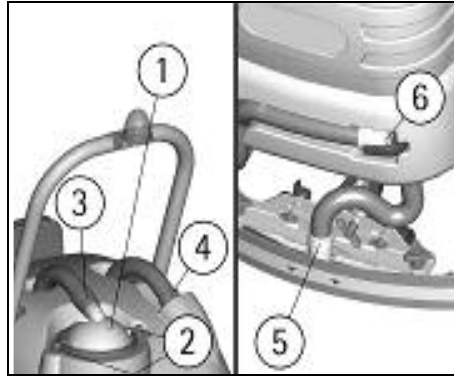
Use only brushes supplied with the machine or the ones indicated in the paragraph "RECOMMENDED BRUSHES". The use of other brushes can compromise the good washing result.

FLOOR CLEANING

RECOVERY TANK

Check that the cover of the suction filter (1) is correctly secured, after rotating the levers (2) and that the suction motor hose (3) is correctly connected to it.

Verify also that the squeegee hose couplings (4/5) are correctly inserted into their seats and that the exhaust hose plug (6) placed in the rear low part of the machine is well closed.



DETERGENT SOLUTION TANK

The capacity of the detergent solution tank is indicated in the technical data.

Open the screw plug placed in the left part of the machine and fill the detergent solution tank with clean water at a maximum temperature of 50°C. Add the liquid detergent in the percentage and conditions foreseen by the manufacturer. To avoid excessive foam presence, which could cause problems to the suction motor, use the minimum percentage of detergent. Screw down the plug to close the tank.



⚠ ATTENTION:

Use always low foam detergent. To avoid foam presence, before starting working operation, introduce into the recovery tank a minimum quantity of anti-foam product.

Never use pure acid.

STARTING OF THE MACHINE

A safety device avoids the machine's movement if the operator is not seated correctly on the guiding place.

To switch on the machine:

1. Sit on the guiding place.
2. Turn the key switch clockwise to switch on the machine.
3. Check the charge level of the batteries on the display (1).
4. Pressing the selector (3) upwards you choose the automatic operation (AUTO), pressing it instead downwards, the manual functioning (MAN) is used.

A. If the selector (3) is in position (AUTO) the machine activates and deactivates all the working functions in an automatic mode (see under paragraph "WORKING IN AUTOMATIC MODE").

B. If the selector (3) is in position (MAN) it is possible to choose if:

I. to carry out the only transfer of the machine without activating or deactivating the working functions.

II. to activate separately only the controls relative to the washing function with the brushes (see under paragraph "WORKING IN MANUAL MODE").

III. to activate separately only the controls relative to the drying function with the squeegee (see under paragraph "WORKING IN MANUAL MODE").

⚠ ATTENTION:

In manual mode every function of the machine has to be activated or deactivated manually.

⚠ ATTENTION:

The function of only transfer of the machine can be carried out only in manual mode.

To proceed to activate the movement of the machine:

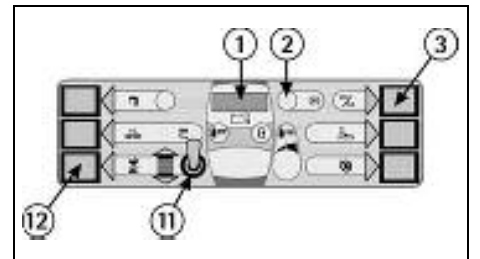
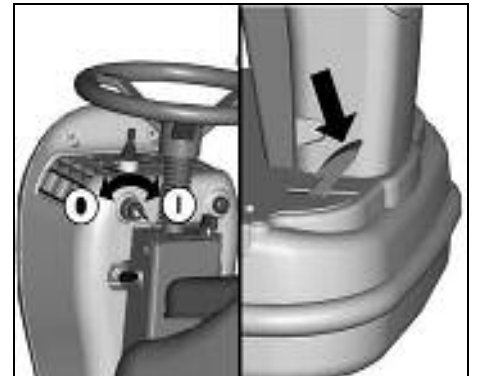
5. Check through the signal lamp (2) that the parking brake is not inserted and eventually release it (see under paragraph "EMERGENCY-PARKING BRAKE").

6. Select the driving sense with the selector (11).

7. Press onto the accelerator pedal placed on the right side to start the machine.

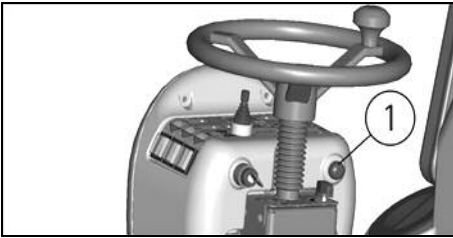
8. Pressing the selector (12) downwards, adjust the driving speed in forward choosing the slow one (at the maximum you can reach 3,25 km/h) or, pressing the same selector (12) upwards, the faster one (at the maximum you can reach 6,1 km/h) can be obtained.

In backward movement, when the machine is moving, an intermittent warning device is activated.



HORN

The machine is equipped with a horn which is activated pressing the push button (1).



WORKING BRAKE

To stop the machine during normal working situations, it is sufficient to release the accelerator pedal, because the machine has got an electronic brake system. To restart, press again the accelerator pedal.

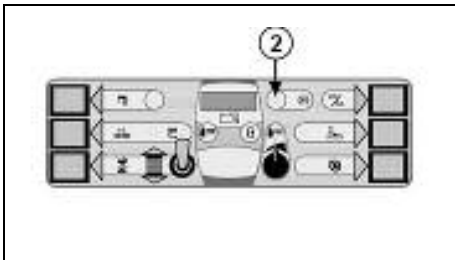
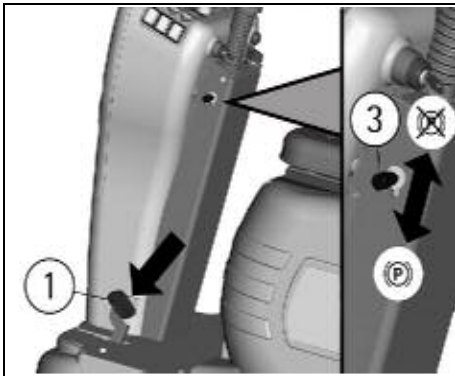
EMERGENCY-PARKING BRAKE

In case of an emergency press the pedal of the emergency and parking brake (1) placed on the left side.

To insert the parking brake press the brake pedal (1) and simultaneously move downwards the lever (3) placed on the left side of the steering column.

On the instrument board the signal lamp (2) comes on which signals that the parking brake is inserted.

To release the parking brake press the brake pedal (1) and simultaneously lift the lever (3) upwards.



AUTOMATISM SQUEEGEE LIFTING WHEN GOING BACKWARDS

Selecting the backwards movement the squeegee is brought automatically to the upper position. It will then lower again in the following forward movement.

This happens both in automatic as in manual mode in order to protect the integrity of the squeegee.

WORKING IN AUTOMATIC MODE



ATTENTION:
The function of only transfer of the machine can be carried out only in manual mode.

The automatic operation is useful to simplify the operator's work.

1. Activate the machine pressing the selector (3) upwards to choose the automatic function (AUTO), (see under paragraph "STARTING OF THE MACHINE").

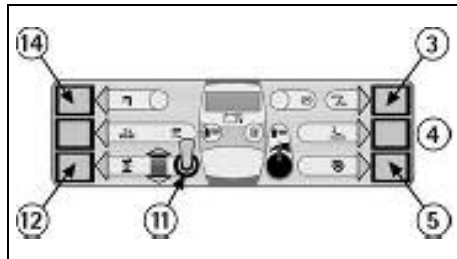
2. Adjust the movement speed in forward with the selector (12) (see under paragraph "STARTING OF THE MACHINE").

Selecting the sense of drive in forward with the selector (11) and pressing the accelerator pedal, the machine starts to proceed and in automatic mode all the working functions are activated. In fact, automatically both the brushes base as the squeegee lower, the brushes begin to turn, the solenoid valve opens to permit the detergent solution to flow down onto the brushes and the suction system is activated to recover the dirty water from the floor.

Selecting the backward movement with the selector (11) the squeegee lifts automatically and will then return to lower itself during the next forward movement.

If the accelerator pedal is released for more than 3 seconds, automatically all the functions are being switched off and both the brushes base as the squeegee are being lifted.

Pressing again the pedal, the machine starts to move again and in automatic mode all the working functions are reactivated.

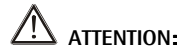


WORKING IN MANUAL MODE

The manual model is useful when, in special cases, it is necessary to carry out separately only the washing with the brushes or only the drying of the floor.



ATTENTION:
The washing and drying functions, when they are not carried out simultaneously, represent an improper use of the machine (see under paragraph "GENERAL RULES OF SECURITY"). If they are carried out separately, it is necessary to forbid the working areas to the passage of non-authorized personnel and to signal the areas of moist floors with suitable signs.



ATTENTION:
The function of only transfer of the machine can be carried out only in manual mode (see under paragraph "STARTING OF THE MACHINE").

Activate the machine pressing the selector (3) downwards to choose the manual mode (MAN), (see under paragraph "STARTING OF THE MACHINE").

TO CARRY OUT THE WASHING WITH ONLY THE BRUSHES:

1. Press the push button (13) of up/down of the brushes base to lower the brushes. Once that it is lowered, the brushes begin to turn. The signal lamp (15) indicates that the brushes base is lowering or lifting, while the signal lamp (17) signals that the brushes are turning.

2. Press the switch (14) to open the solenoid valve and permit the detergent solution to lower onto the brushes. The signal lamp (16) will come on to indicate that the solenoid valve is open.

TO CARRY OUT THE FUNCTION OF ONLY DRYING:

1. Press the push button (4) of up/down squeegee to lower the squeegee. The signal lamp (6) indicates that the squeegee is lowering or lifting.

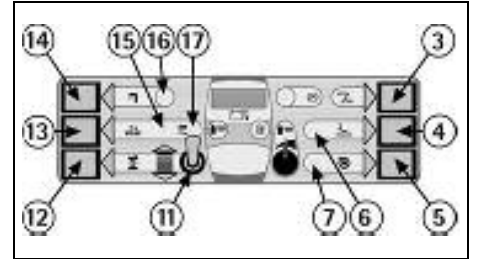
2. Press the switch (5) of the suction motor to start the suction system. The signal lamp (7) indicates that the machine is drying.

Adjust the movement speed in forward with the selector (12) (see under paragraph "STARTING OF THE MACHINE").

Selecting the forward movement with the selector (11) and pressing the accelerator pedal, the machine begins to proceed forward and to work according to the set functions.



ATTENTION:
In manual mode every function of the machine has to be activated or deactivated manually.



WORKING ADJUSTMENTS

Both in automatic as in manual mode, during the first metres check:

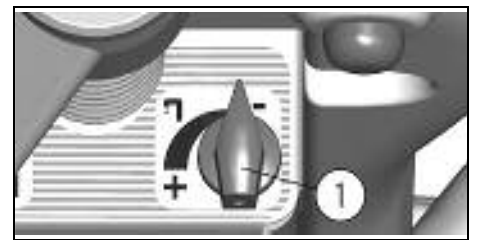
1. that the squeegee adjustment guarantees a perfect drying result (see under paragraph "ADJUSTMENT OF THE SQUEEGEE").

2. that the adjustment of the detergent solution flow is sufficient to wet the floor uniformly avoiding the leakage of detergent from the splash guards (see under paragraph "FLOW ADJUSTMENT OF THE DETERGENT SOLUTION").

3. that the brushes pressure permits an efficient washing action in function of the dirt and the speed (see under paragraph "ADJUSTMENT OF THE BRUSHES PRESSURE").

FLOW ADJUSTMENT OF THE DETERGENT SOLUTION

To adjust the detergent solution quantity that flows down onto the brushes it is necessary to act upon the solution valve knob (1) placed on the right of the steering column, rotating counterclockwise to increase it and clockwise to reduce it up to close the flow.



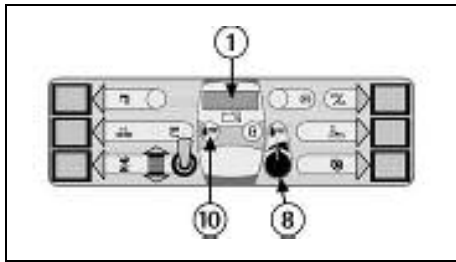
ADJUSTMENT OF THE BRUSHES PRESSURE

Through the knob (8) it is possible to adjust the brushes pressure onto the floor in three pre-set pressure levels. We can visualize on the display (1) the pressure in kg previously set by pressing the push button (10).

The adjustment occurs in this way both in automatic as in manual mode.



ATTENTION:
In order not to overload the brushes motor, it is convenient to reduce the brushes pressure going from smooth floors to rough ones (ex. concrete).



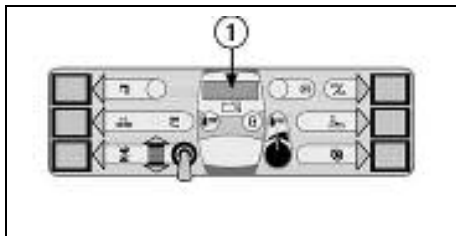
ELECTRIC PROTECTION

The machine is equipped with an electronic system of protection for all components that carry out functions of power or control. This device blocks the defective component and indicates on the display (1) the corresponding alarm from "AL01" to "AL20".



ATTENTION:

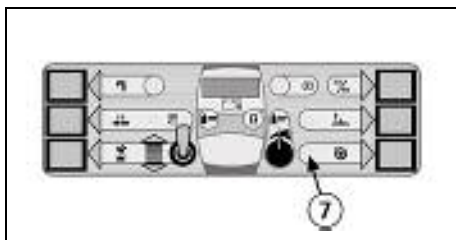
To restore the functioning of the component, turn off and on again the machine acting upon the key switch. If the problem persists, please contact the authorized technical assistance.



OVERFLOW DEVICE

In order to avoid serious damages to the suction motor, the machine is equipped with a float that intervenes when the recovery tank is full, closing the suction, the switching off of the signal lamp (7) and consequently the drying stop.

When this happens, it is necessary to empty the recovery tank (see under paragraph "RECOVERY TANK EMPTYING AND CLEANING").



STOP OF THE MACHINE AFTER CLEANING OPERATION

IN AUTOMATIC WORKING MODE:

If the selector (3) is in position (AUTO):

1. Release the foot from the accelerator pedal for more than 3 seconds.
2. Turn the switch key counterclockwise to switch off the machine.
3. Insert the parking brake (see under paragraph "EMERGENCY-PARKING BRAKE").



ATTENTION:

The function of only transfer of the machine can be carried out only in manual mode.

IN MANUAL WORKING MODE:

If the selector (3) is in position (MAN):

TO SWITCH OFF THE WASHING FUNCTION

1. Press upwards the switch (14) to close the solenoid valve. The signal lamp (16) has to come off.

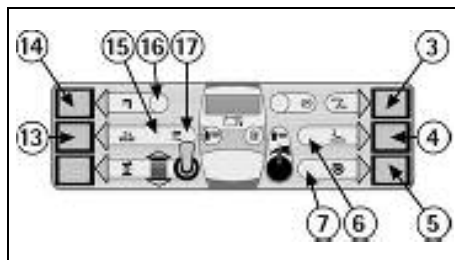
2. Press the push button (13) of up/down of the brushes base to lift the brushes in rest position. The signal lamp (15) indicates that the brushes base is lifting, while the signal lamp (17) has to come off and the brushes have to stop turning.

TO SWITCH OFF THE DRYING FUNCTION

1. Press the push button (4) of up/down squeegee to lift the squeegee in rest position. The signal lamp (6) indicates that the squeegee is lifting.
2. Wait for a few seconds and then press the switch (5) of the suction motor to switch off the suction system. The signal lamp (7) has to come off.

When all the functions are switched off:

1. Carry out any probable transfer of the machine.
2. Turn the key switch counterclockwise to switch off the machine.
3. Insert the parking brake (see under paragraph "EMERGENCY-PARKING BRAKE").



DAILY MAINTENANCE



ATTENTION:

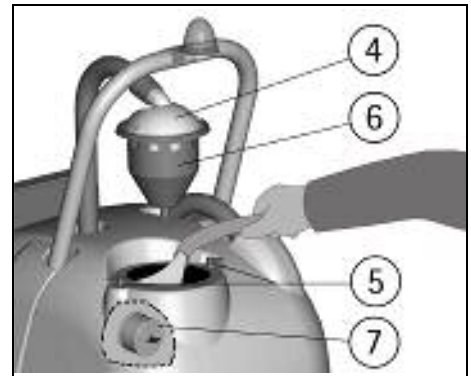
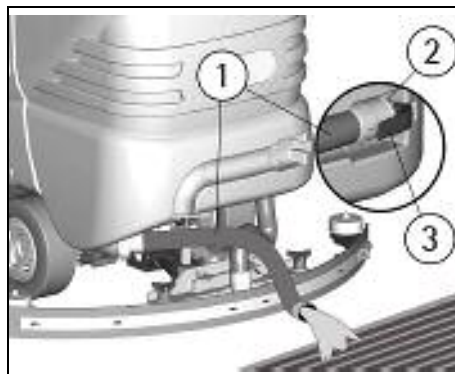
All the following maintenance and cleaning operations that refer to the following components that are in contact with liquids and therefore:

- Solution and recovery tanks
- Solution and recovery filters
- Squeegee with their rubbers and hoses
- Brushes

must be carried out using gloves to protect from contact with dangerous solutions.

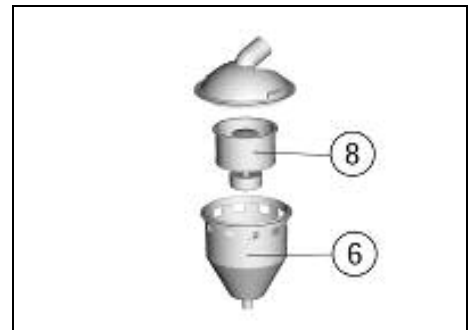
RECOVERY TANK EMPTYING AND CLEANING

1. Hold the exhaust hose (1) placed in the rear low part of the machine after having taken it off from its fixing support.
2. Take off the plug (2) from the exhaust hose acting upon its lever (3) and empty the recovery tank into appropriate containers, in compliance with the respective rules what the liquid disposal concerns.
3. Take off suction cover (4) after rotating the blocking levers (5).
4. Take off the filter and filter protection (6).
5. Rinse the inside of the tank with a water jet through the hole become free of the filter, paying attention to clean also the protection (7) of the float switch placed right under the hole.
6. Reassemble all parts.



SUCTION FILTER CLEANING

1. Take off suction cover (4) after rotating the blocking levers (5).
2. Take off the filter (8) and its filter protection (6).
3. Clean all parts with a water jet and especially the inside surfaces and the filter bottom.
4. Carry out cleaning operations carefully.
5. Reassemble all parts.



BRUSHES CLEANING

Disassemble the brushes and clean them with a water jet (for the brushes disassembly see under paragraph "BRUSHES DISASSEMBLY").

BRUSHES DISASSEMBLY

With the brushes base in lifted position, rotate the brushes energetically in order to release the button from the coupling spring until it becomes free and wash them with a water jet. The figure shows the rotating sense for brushes release.



ATTENTION:

To carry out brushes disassembly operations with the electric supply on, may cause damages to hands.



SQUEEGEE CLEANING

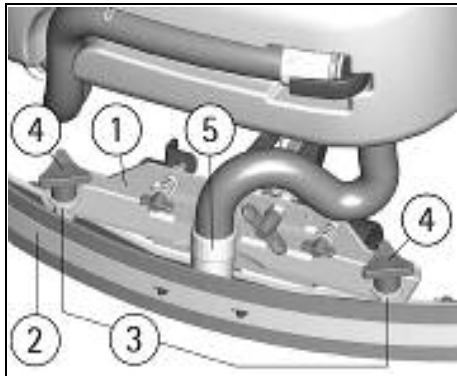
Keeping the squeegee clean guarantees always the best drying result.

For its cleaning it is necessary to:

1. Take off the squeegee hose (5) from the coupling.
2. Disassemble the squeegee (2) from its support (1) by loosening the knobs (4) counterclockwise and

making slide the threaded parts in the appropriate slots up to their release.

3. Clean with care the internal part of the squeegee inlet eliminating eventual dirt residuals.
4. Clean with care the squeegee rubbers.
5. Reassemble all parts.



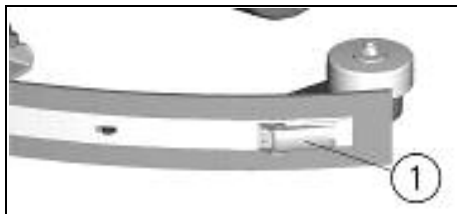
WEEKLY MAINTENANCE

REAR SQUEEGEE RUBBER CHECK

Check the squeegee rubber wear and eventually turn or replace it.

For the replacement it is necessary to:

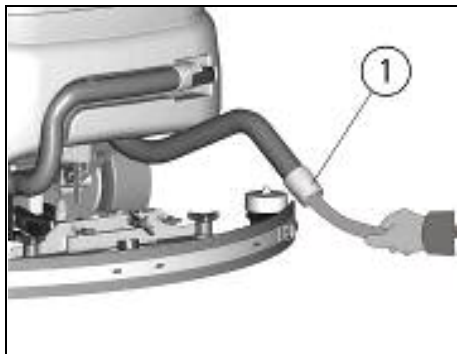
1. Lift the squeegee (see under paragraph "STOP OF THE MACHINE AFTER CLEANING OPERATION").
2. Release the hook (1) of the rubber holder blade and take off the rubber.
3. Turn the rubber to a new side or replace it. To reassemble the squeegee repeat inversely the operations mentioned above, inserting the rubber on the guides and blocking it with the rubber holder blade.



SQUEEGEE HOSE CLEANING

Weekly or in case of insufficient suction, it is necessary to check that the squeegee hose is not obstructed. Eventually, to clean it, proceed as follows:

1. Take off the hose (1) from the squeegee coupling.
2. Wash the inside of the hose with a water jet.
3. To reassemble the hose repeat inversely the above-mentioned operations.



CLEANING OF THE SOLUTION TANK AND OF THE OUTER FILTER

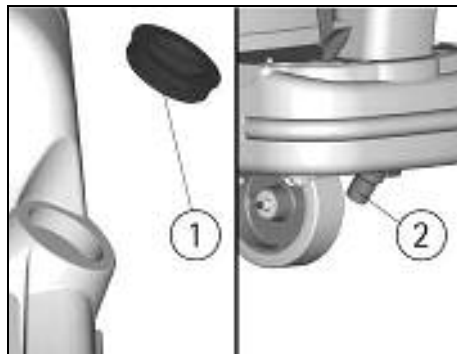
1. Bring the machine to an appropriate place for the detergent solution draining.
2. Unscrew the solution tank cap (1).

3. Unscrew the cap of the exhaust filter (2) and take off the filter. Be careful not to lose the gasket of the cap.

4. Open the solution valve (see under paragraph "FLOW ADJUSTMENT OF THE DETERGENT SOLUTION"), so that the detergent solution flows down into appropriate containers.

5. Rinse with a water jet the solution tank and the components of the filter.

6. Reassemble all parts.
NOTE: in case of need it is possible to wash only the components of the outer solution filter as above-mentioned by closing the solution valve adjustment (see under paragraph "FLOW ADJUSTMENT OF THE DETERGENT SOLUTION"), so that the detergent solution remains in the solution tank.



TWO-MONTHLY MAINTENANCE

FRONT SQUEEGEE RUBBER CHECK

Check the wear of the squeegee rubber and eventually replace it.

For the replacement it is necessary to:

1. Take off the squeegee (see under paragraph "SQUEEGEE CLEANING").
2. Unscrew the wing nuts in the front part of the squeegee.
3. Take off the rubber holder blade.
4. Replace the front rubber.
5. Reassemble all parts.

SIX-MONTHLY MAINTENANCE

SPLASH GUARD RUBBER CHECK

With the brushes assembled, the splash guards must slightly touch the floor. If they are worn, they have to be replaced. It is necessary to release the springs (placed in the rear part of the brushes base group for the model sapphire 65 and in the front part for the model sapphire 85) from the slots placed at the free extremities of the metal strips to take off the rubbers and to reinsert the new ones (see under paragraph "SPLASH GUARD ASSEMBLY").

CLEANING OF THE INNER FILTER SOLUTION TANK

Empty the solution tank, remove the fitting of the water outlet by taking off the two screws that fix it to the tank in the front part of the machine. Clean the inside filtrating part of the fitting from eventual dirt. Pour some water into the tank to clean it. Reassemble the fitting onto the solution tank.

CHECK OF THE BRAKE

Check the braking efficacy of both rear wheels. Should the braking be insufficient, please contact the authorized technical assistance.

TROUBLESHOOTING GUIDE



ATTENTION:

If with the key switch positioned clockwise to switch on the machine the display and other functions are

not activated, it is necessary to check the batteries' connection to the machine (see under paragraph "CONNECTION BATTERIES' CONNECTION AND SWITCHING ON OF THE MACHINE"). If the problem persists, please contact the authorized technical assistance.

THE SUCTION MOTOR DOES NOT WORK

1. Verify that the key switch is positioned clockwise to switch on the machine. In presence of alarm signals it is necessary to switch off and on again the machine to restore the functionality.

2. Check the charge level of the batteries on the display (1).

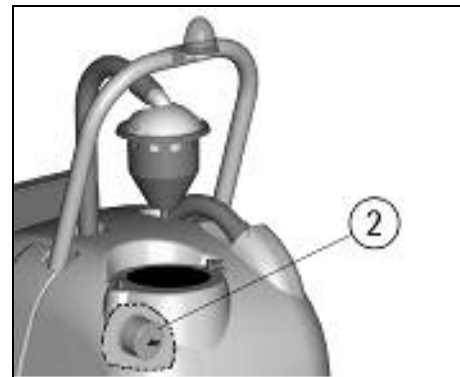
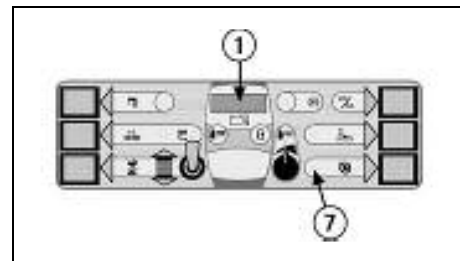
3. Verify of having activated correctly the function of drying (see under paragraph "STARTING OF THE MACHINE").

4. Check that the recovery tank is not full.

5. Check that the float switch (2) in the recovery tank is assembled correctly.

6. If, both in mode (MAN) as (AUTO), the signal lamp (7) is on but the suction system does not work, it is necessary to rotate the recovery tank (see under paragraph "ACCESS TO THE BATTERY COMPARTMENT") and check the connection of the suction motor plug situated at the bottom of the tank.

If the problem persists, please contact the authorized technical assistance.



THE BRUSHES MOTOR DOES NOT WORK

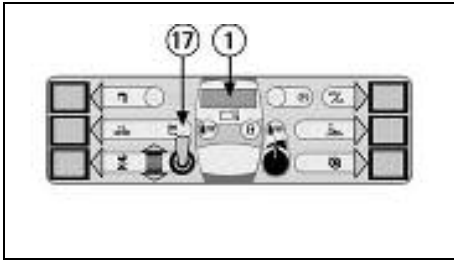
1. Verify that the key switch is positioned clockwise to switch on the machine. In presence of alarm signals it is necessary to switch off and on again the machine to restore the functionality.

2. Check the charge level of the batteries on the display (1).

3. Verify of having activated correctly the function of washing with the brushes (see under paragraph "STARTING OF THE MACHINE").

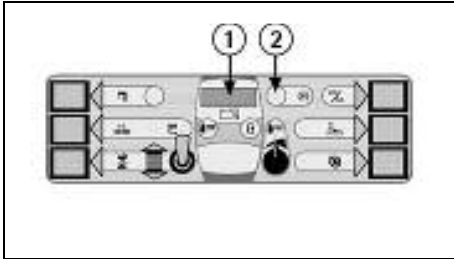
4. If, both in mode (MAN) as (AUTO), the signal lamp (17) is on but the brushes do not turn, please contact the authorized technical assistance.

If the problem persists, please contact the authorized technical assistance.



THE TRACTION MOTOR DOES NOT WORK

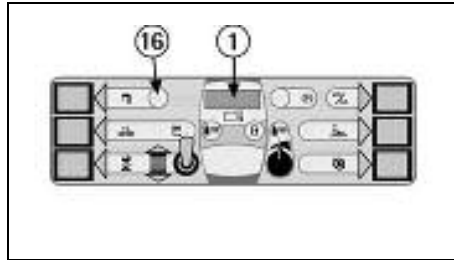
1. Sit on the guiding place.
 2. Verify that the key switch is positioned clockwise to switch on the machine. In presence of alarm signals it is necessary to switch off and on again the machine to restore the functionality.
 3. Check the charge level of the batteries on the display (1).
 4. Check through the signal lamp (2) that the parking brake is not inserted and eventually release it (see under paragraph "EMERGENCY-PARKING BRAKE").
 5. Press the accelerator pedal placed on the right side to start the machine.
- If the problem persists, please contact the authorized technical assistance.



THE WATER DOES NOT COME DOWN ONTO THE BRUSHES OR IS INSUFFICIENT

1. Verify that the key switch is positioned clockwise to switch on the machine.
2. Check the charge level of the batteries on the display (1).
3. Verify of having activated correctly the function of washing with the brushes (see under paragraph "STARTING OF THE MACHINE").
4. Check that the solution valve is open (see under paragraph "FLOW ADJUSTMENT OF THE DETERGENT SOLUTION").
5. If, both in mode (MAN) as (AUTO), the signal lamp (16) is on but the detergent solution does not come down onto the brushes, it is necessary to:
 - a. check the level of the liquid in the tank.
 - b. check that the solution filter is clean (see under paragraph "CLEANING OF THE SOLUTION TANK AND OF THE OUTER FILTER").
 - c. check that the inner filter of the solution tank is clean (see under paragraph "CLEANING OF THE INNER FILTER SOLUTION TANK").

If the problem persists, please contact the authorized technical assistance.



THE MACHINE DOES NOT CLEAN PROPERLY

1. The brushes do not have the suitable bristle dimension: contact the authorized technical assistance.
2. The brushes have got worn bristles. Check the brushes wear condition and eventually replace them

(the brushes have to be replaced when the bristles have reached a height of about 15mm).

- To replace the brushes, see instructions under paragraph "BRUSHES DISASSEMBLY" and "BRUSHES ASSEMBLY".
3. The detergent solution is insufficient: open more the solution valve (see under paragraph "FLOW ADJUSTMENT OF THE DETERGENT SOLUTION").
 4. Check that the liquid detergent is in the recommended percentage.
 5. Increase the brushes base pressure (see under paragraph "ADJUSTMENT OF THE BRUSHES PRESSURE").

Contact the authorized technical assistance for advice.

THE SQUEEGEE DOES NOT DRY PERFECTLY

1. Check that the suction function is on and that the recovery tank is not full.
2. Check that the squeegee rubbers are clean (see under paragraph "SQUEEGEE CLEANING").
3. Check the adjustment of the height and the inclination of the squeegee (see under paragraph "ADJUSTMENT OF THE SQUEEGEE").
4. Check that the suction and the squeegee hoses are correctly inserted in their proper seats on the recovery tank.
5. Clean the suction filter (see under paragraph "SUCTION FILTER CLEANING").
6. Clean the squeegee hose (see under paragraph "SQUEEGEE HOSE CLEANING").
7. Replace the rubbers if worn out.

EXCESSIVE FOAM PRODUCTION

Check that low foam detergent has been used. Eventually add small quantities of anti foam liquid into the recovery tank.

Please be aware that a bigger quantity of foam is produced when the floor is not very dirty. In this case please dilute detergent solution.

PROGRAMMED MAINTENANCE

INTERVENTION	DAILY	20 HOURS *	200 HOURS *	1000 HOURS *
RECOVERY TANK CLEANING	•			
SUCTION FILTER CLEANING	•			
SOLUTION TANK FILTER CLEANING		•		
BRUSHES CLEANING	•			
BRUSHES DISASSEMBLY AND CLEANING	•			
SQUEEGEE CLEANING	•			
FRONT SQUEEGEE RUBBER REPLACEMENT			•	
REAR SQUEEGEE RUBBER REPLACEMENT		•		
SPLASH GUARD RUBBER REPLACEMENT				•
CHECK SQUEEGEE ADJUSTMENT		•		
SQUEEGEE HOSE CLEANING		•		
SOLUTION TANK CLEANING		•		
CHECK BATTERIES ELECTROLYTE		•		
CHECK OF THE BRAKE				•
TRACTION MOTOR CHECK				•
BRUSHES MOTOR CHECK				•
SUCTION MOTOR CHECK			•	
CHECK BRUSHES BASE GROUP			•	
SCREW TIGHTENING				•

* The hours refer to the ones indicated on the display (see under paragraph "HOUR METER").

RECOMMENDED BRUSHES

Brushes must be chosen depending on type of floor and dirt to be removed.

The employed material and the bristles diameter are the elements that distinguish different types of brushes.

MATERIAL	CHARACTERISTICS
PPL (Polypropylene)	Good wear resistance. Maintains characteristics with hot water up to 60°C. It is not hygroscopic.
NYLON	Excellent wear resistance, even with hot water over 60°C. It is hygroscopic. It loses its physical characteristics over the time.
TYNEX	Nylon bristles with grains of abrasive material. Use with caution in order not to mark the floor or ruin the polishing.
BRISTLES THICKNESS	Thicker bristles are more rigid and must be used on smooth floor or floor with small joints. On irregular floors with deep joints or relieves, it is recommended to use softer bristles which penetrate more easily and deeper. Please be aware that when brush bristles are worn out and therefore too small, they become rigid and unable to penetrate and clean deeper. This may also happen with thicker bristles creating brush vibration.
PAD HOLDER	It is equipped with anchor points which permit the blocking of the abrasive pad during work. The pad is recommended to clean smooth floors.

MACHINE	CODE	QUANTITY	DESCRIPTION	USE
sapphire 65	48903020	2	Brush PPL 0,6 Ø 345	Normal floors.
	48903030	2	Brush PPL 0,9 Ø 345	Smooth floors with small joints and persistent dirt.
	48903040	2	Brush TYNEX Ø 345	Floors of resistant material and particularly dirty.
	48903050	2	Brush 5-mix Ø 345	For all types of floors.
	48803010	2	Pad holder Ø 330	For pads of 14", for smooth surfaces cleaning.
	48803030	2	Pad holder Ø 330 + center lock green	For pads of 14", for smooth surfaces cleaning.
	48803040	2	Pad holder Ø 330 + center lock black	For pads of 14", for smooth surfaces cleaning.
sapphire 85	48903120	2	Brush PPL 0,6 Ø 430	Normal floors.
	48903130	2	Brush PPL 0,9 Ø 430	Smooth floors with small joints and persistent dirt.
	48903140	2	Brush TYNEX Ø 430	Floors of resistant material and particularly dirty.
	48903150	2	Brush 5-mix Ø 430	For all types of floors.
	48803020	2	Pad holder Ø 425	For pads of 17", for smooth surfaces cleaning.
	48803050	2	Pad holder Ø 425 + center lock green	For pads of 17", for smooth surfaces cleaning.
	48803060	2	Pad holder Ø 425 + center lock black	For pads of 17", for smooth surfaces cleaning.